

PARTS LIST

[RX-5000VBK]
[RX-5001VGD]

* All printed circuit boards and its assemblies are not available as service parts.

| | |
|-------------------|-------|
| RX-5000VBK | |
| Area suffix | |
| UF ----- | China |

| | |
|-------------------|-----------|
| RX-5000VGD | |
| Area suffix | |
| UF ----- | China |
| US ----- | Singapore |

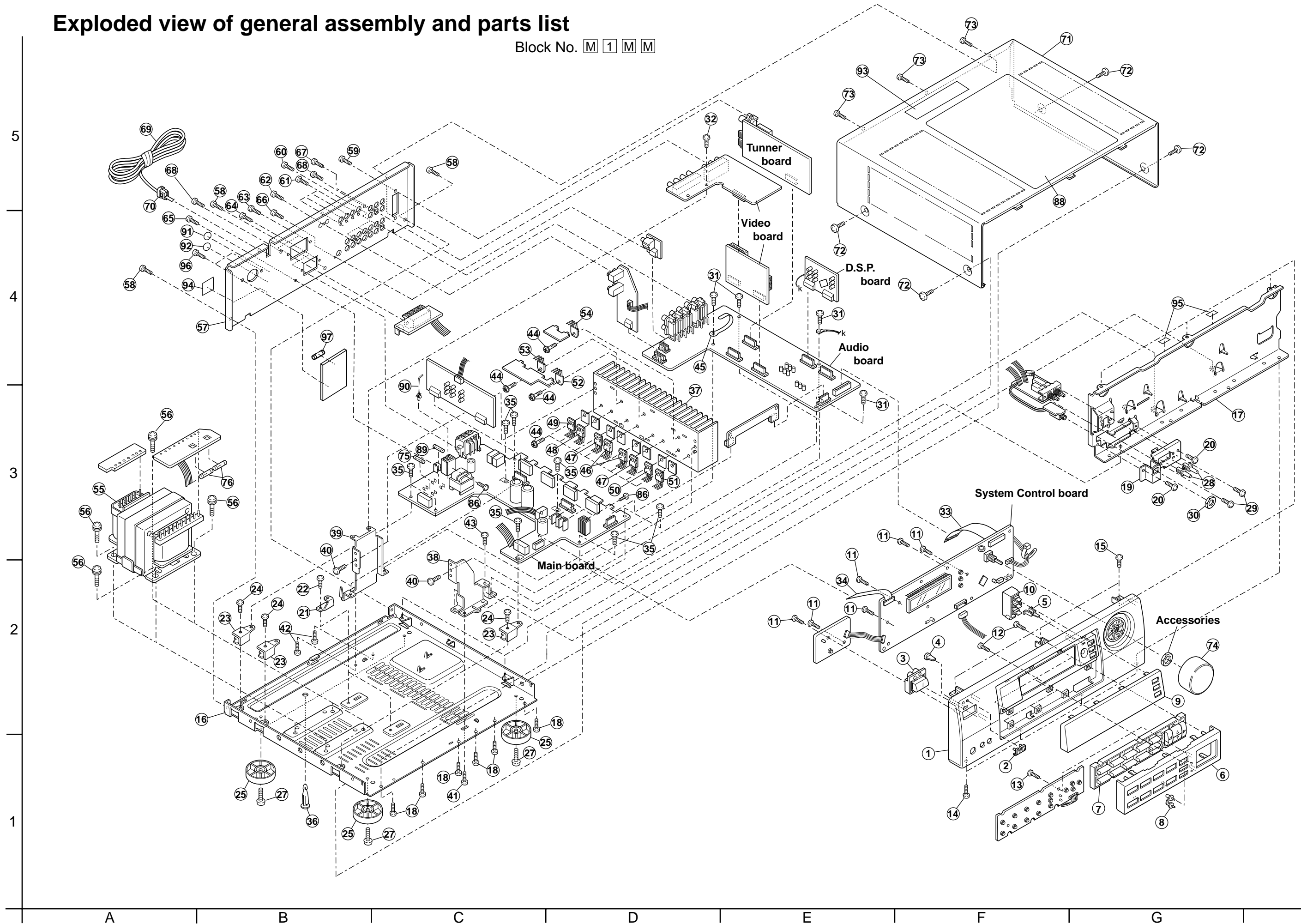
- Contents -

| | |
|--|------|
| Exploded view of general assembly and parts list | 3-3 |
| Electrical parts list | 3-6 |
| Packing materials and accessories parts list | 3-17 |

-MEMO-

Exploded view of general assembly and parts list

Block No. **M 1 M M**



■ Parts list (General assembly)

Block No. M1MM

| △ | Item | Parts number | Parts name | Q'ty | Description | Area |
|---|------|---------------|------------------|------|----------------|------|
| | 1 | LV10128-022A | FRONT PANEL | 1 | RX-5001VGD | |
| | | LV10128-020A | FRONT PANEL | 1 | RX-5000VBK | |
| | 2 | VJD5429-001SS | JVC MARK | 1 | | |
| | 3 | LV30684-004A | POWER BUTTON | 1 | RX-5001VGD | |
| | | LV30684-002A | POWER BUTTON | 1 | RX-5000VBK | |
| | 4 | FSJD4001-002 | INDICATOR | 1 | POWER | |
| | 5 | LV40767-001A | INDICATOR | 1 | BASS BOOST | |
| | 6 | LV20228-008A | FRONT ESC. | 1 | RX-5001VGD | |
| | | LV20228-007A | FRONT ESC. | 1 | RX-5000VBK | |
| | 7 | LV20227-001A | SOURCE BUTTON | 1 | RX-5000VBK | |
| | | LV20227-004A | SOURCE BUTTON | 1 | RX-5001VGD | |
| | 8 | LV40604-001A | INDICATOR | 1 | | |
| | 9 | LV20229-015A | LENS | 1 | RX-5001VGD | |
| | | LV20229-013A | LENS | 1 | RX-5000VBK | |
| | 10 | LV30685-001A | PUSH BUTTON | 1 | SEA | |
| | 11 | QYSDFS2608Z | SCREW | 6 | F.C.B-F.PANEL | |
| | 12 | QYSDFS2608Z | SCREW | 6 | F.ESC.-F.PANEL | |
| | 13 | QYSDFS2608Z | SCREW | 1 | C.B-F.ESC. | |
| | 14 | QYSDSG3008M | SCREW | 4 | F.P-F.B(LOW) | |
| | 15 | QYSBSG3008E | T.SCREW | 3 | F.P-F.B(UP) | |
| | 16 | LE10081-004A | CHASSIS BASE | 1 | | US |
| | | LE10081-005A | CHASSIS BASE | 1 | | UF |
| | 17 | LV20230-001A | FRONT BKT | 1 | | |
| | 18 | QYSBSG3008E | T.SCREW | 6 | C.B-F.B | |
| | 19 | LV30687-001A | BRACKET | 1 | | |
| | 20 | QYSBSG3008E | T.SCREW | 2 | BKT-F.B | |
| | 21 | E68587-223SM | CB BKT | 2 | | |
| | 22 | QYSBST3006E | T.SCREW | 2 | C.B-BKT | |
| | 23 | LE40138-001A | BRACKET | 3 | | |
| | 24 | QYSBSG3008E | T.SCREW | 3 | BKT-C.B | |
| | 25 | QZF6018-001 | FOOT | 4 | | |
| | 27 | QYSBST3010Z | T.SCREW | 4 | FOOT | |
| | 28 | E407321-007SM | PUSH BUTTON(SPK) | 2 | RX-5001VGD | |
| | | E407321-002SM | PUSH BUTTON(SPK) | 2 | RX-5000VBK | |
| | 29 | QYSBST3006E | T.SCREW | 2 | SPK SW C.B | |
| | 30 | VKZ4150-001 | SPECIAL NUT | 1 | | |
| | 31 | QYSBSG3008E | T.SCREW | 4 | PRI.C.B-FRAME | |
| | 32 | QYSBSG3008E | T.SCREW | 1 | | |
| | 33 | QUQ412-2918CJ | FFC WIRE | 1 | FW304 | UF |
| | | QUQC12-2918CJ | FFC WIRE | 1 | FW304 | US |
| | 34 | QUQC12-1316CJ | FFC WIRE | 1 | FW811 | US |
| | | QUQ412-1316CJ | FFC WIRE | 1 | FW811 | UF |
| | 35 | QYSBSG3008E | T.SCREW | 8 | | |
| | 36 | LV30384-001A | FASTENER | 1 | | UF |
| | 37 | LV30351-202A | HEAT SINK | 1 | | |
| | 38 | E310171-001SM | H.S BKT | 1 | FRONT SIDE | |
| | 39 | E310172-001SM | H.S BKT | 1 | REAR SIDE | |
| | 40 | QYSBSG3008E | T.SCREW | 2 | H.S BKT-H.S | |

■ Parts list (General assembly)

Block No. M1MM

| △ | Item | Parts number | Parts name | Q'ty | Description | Area |
|---|------|-----------------|----------------|------|-----------------|------|
| | 41 | QYSDSG3008M | SCREW | 1 | H.BKT(F)-C.BASE | |
| | 42 | QYSDSG3008M | SCREW | 2 | H.BKT(R)-C.BASE | |
| | 43 | QYSBSG3008E | T.SCREW | 1 | H.BKT(F)-F.BKT | |
| | 44 | E73525-003 | SCREW | 11 | P.TR | |
| | 45 | VKZ4001-111S | WIRE CLAMP | 1 | | |
| △ | 46 | 2SD2390LD/OPY/ | TRANSISTOR | 2 | Q761 Q762 | |
| △ | 47 | 2SB1560LD/OPY/ | TRANSISTOR | 2 | Q763 Q764 | |
| △ | 48 | 2SD2390LD/OPY/ | TRANSISTOR | 1 | Q507 | |
| △ | 49 | 2SB1560LD/OPY/ | TRANSISTOR | 1 | Q508 | |
| △ | 50 | 2SD2390LD/OPY/ | TRANSISTOR | 1 | Q575 | |
| △ | 51 | 2SB1560LD/OPY/ | TRANSISTOR | 1 | Q576 | |
| △ | 52 | 2SD2390LD/OPY/ | TRANSISTOR | 1 | Q1507 | |
| △ | 53 | 2SB1560LD/OPY/ | TRANSISTOR | 1 | Q1508 | |
| △ | 54 | 2SC4466LD/OPY/ | TRANSISTOR | 1 | Q831 | |
| △ | 55 | QQT0283-001 | TRANSFORMER | 1 | | |
| | 56 | QYSDSL4008E | SPECIAL SCREW | 4 | P.TRANS | |
| | 57 | LE20127-048A | REAR PANEL | 1 | | US |
| | | LE20127-050A | REAR PANEL | 1 | | UF |
| | 58 | QYSBSGY3008M | SPECIAL SCREW | 3 | R.P-C.BASE | |
| | 59 | QYSBSGY3008M | SPECIAL SCREW | 2 | TUNER | |
| | 60 | QYSBSGY3008M | SPECIAL SCREW | 3 | INPUT | |
| | 61 | QYSBSGY3008M | SPECIAL SCREW | 4 | VIDEO | |
| | 62 | QYSBSGY3008M | SPECIAL SCREW | 1 | DCS | |
| | 63 | QYSBSGY3008M | SPECIAL SCREW | 2 | F.SPK | |
| | 64 | QYSBSGY3008M | SPECIAL SCREW | 2 | SURROUND | |
| | 65 | QYSBSGY3008M | SPECIAL SCREW | 1 | MAIN C.B | |
| | 66 | QYSBSGY3008M | SPECIAL SCREW | 1 | SUB.WOOF | |
| | 67 | QYSBSGY3008M | SPECIAL SCREW | 1 | DVD | |
| | 68 | QYSBSGY3008M | SPECIAL SCREW | 2 | BKT | |
| △ | 69 | QMPR100-200-JC | POWER CORD | 1 | | |
| △ | 70 | QHS3771-108 | CORD STOPPER | 1 | | |
| | 71 | LE20131-006A/S/ | METAL COVER | 1 | RX-5000VBK | |
| | | LE20131-003A/S/ | METAL COVER | 1 | RX-5001VGD | |
| | 72 | E406308-003 | SPECIAL SCREW | 4 | RX-5000VBK | |
| | | E406308-004 | SPECIAL SCREW | 4 | RX-5001VGD | |
| | 73 | QYSBSGY3008M | SPECIAL SCREW | 3 | RX-5000VBK | |
| | | QYSBSGY3008E | SPECIAL SCREW | 3 | RX-5001VGD | |
| | 74 | LV30480-006A | VOL KNOB ASS'Y | 1 | RX-5001VGD | |
| | | LV30480-004A | VOL KNOB ASS'Y | 1 | RX-5000VBK | |
| △ | 75 | QMF51E2-6R3-J1 | FUSE | 1 | F801 | US |
| △ | | QMF51E2-3R15-J1 | FUSE | 1 | F801 | UF |
| △ | 76 | QMF51E2-2R0-J1 | FUSE | 2 | F811 F812 | |
| | 86 | QYSBSG3008E | T.SCREW | 4 | | |
| | 88 | E208294-001SM | PROTECT SHEET | 1 | RX-5000VBK | |
| | | E208294-002SM | PROTECT SHEET | 1 | RX-5001VGD | |
| △ | 89 | QMF51E2-R10-J1 | FUSE | 1 | F802 | |
| | 90 | E307572-001 | FASTENER | 1 | | |
| | 91 | LV41768-001A | CCIB LABEL | 1 | | UF |

Parts list (General assembly)

Block No. M1MM

| ▲ | Item | Parts number | Parts name | Q'ty | Description | Area |
|---|------|-----------------|---------------|------|-------------|------|
| | 92 | E409372-001 | CCEE LABEL | 1 | | UF |
| | 93 | E409396-001 | CAUTION LABEL | 1 | | |
| | 94 | LV30092-091A | UF LABEL | 1 | RX-5001VGD | UF |
| | | LV30092-090A | UF LABEL | 1 | RX-5000VBK | UF |
| | 95 | LV30225-024A | FELT SPACER | 2 | RX-5001VGD | |
| | 96 | QYSBSGY3008M | SPECIAL SCREW | 2 | VOL.SEL | US |
| ▲ | 97 | QMF51E2-3R15-J1 | FUSE | 1 | F803 | US |

Electrical parts list

■ Electrical parts list (System control & DSP board) Block No. 01

| Item | Parts number | Parts name | Remarks | Area | Item | Parts number | Parts name | Remarks | Area |
|-------|--------------|------------------|-----------------|------|-------|---------------|----------------|----------------|------|
| C 401 | QEKC1AM-227Z | E CAPACITOR | 220MF 20% 10V | | C 712 | QETN1CM-107Z | E CAPACITOR | 100MF 20% 16V | |
| C 402 | QCZ0202-155Z | ML C CAPACITOR | 1.5MF | | C 713 | QCS11HJ-220 | C CAPACITOR | 22PF 5% 50V | |
| C 403 | QEZ0227-479Z | EDL CAPACITOR | 47000MF | | C 714 | QCS11HJ-220 | C CAPACITOR | 22PF 5% 50V | |
| C 404 | QEKC1HM-225Z | E CAPACITOR | 2.2MF 20% 50V | | C 717 | QCB31HK-152Z | C CAPACITOR | 1500PF 10% 50V | |
| C 405 | QDVB1EZ-223Y | C CAPACITOR | | | C 718 | QCB31HK-152Z | C CAPACITOR | 1500PF 10% 50V | |
| C 406 | QCB31HK-331Y | C CAPACITOR | 330PF 10% 50V | | C 721 | QCS32HJ-220Z | C CAPACITOR | 22PF 5% 500V | |
| C 411 | QEKC1HM-475Z | E CAPACITOR | 4.7MF 20% 50V | | C 722 | QCS32HJ-220Z | C CAPACITOR | 22PF 5% 500V | |
| C 412 | QEKC1HM-475Z | E CAPACITOR | 4.7MF 20% 50V | | C 723 | QETN1HM-336Z | E CAPACITOR | 33MF 20% 50V | |
| C 413 | QEKC1AM-107Z | E CAPACITOR | 100MF 20% 10V | | C 724 | QETN1HM-336Z | E CAPACITOR | 33MF 20% 50V | |
| C 414 | QEKC1HM-475Z | E CAPACITOR | 4.7MF 20% 50V | | C 727 | QFN31HJ-103Z | M CAPACITOR | .010MF 5% 50V | UF |
| C 551 | QETN1HM-106Z | E CAPACITOR | 10MF 20% 50V | | C 727 | QFLC1HJ-103Z | M CAPACITOR | .010MF 5% 50V | US |
| C 552 | QCS31HJ-271Z | C CAPACITOR | 270PF 5% 50V | | C 728 | QFLC1HJ-103Z | M CAPACITOR | .010MF 5% 50V | US |
| C 553 | QCS11HJ-101 | C CAPACITOR | 100PF 5% 50V | | C 728 | QFN31HJ-103Z | M CAPACITOR | .010MF 5% 50V | UF |
| C 556 | QCB31HK-152Z | C CAPACITOR | 1500PF 10% 50V | | C 739 | QETN1JM-107Z | E CAPACITOR | 100MF 20% 63V | |
| C 557 | QCS11HJ-220 | C CAPACITOR | 22PF 5% 50V | | CN304 | QGF1210G1-29 | FFC/FPC CONNE | | |
| C 558 | QETN1CM-476Z | E CAPACITOR | 47MF 20% 16V | | CN401 | QJK018-041004 | SKT.WIRE ASSY | | |
| C 561 | QETN1HM-225Z | E CAPACITOR | 2.2MF 20% 50V | | CN402 | QGA2001F1-11 | 11P CN RIG | | |
| C 562 | QCS32HJ-330Z | C CAPACITOR | 33PF 5% 500V | | CN411 | QGA2001F1-04 | 4P PLUG ASSY | | |
| C 563 | QFLC1HJ-103Z | M CAPACITOR | .010MF 5% 50V | US | CN412 | QJK018-111001 | CONN.WIRE ASSY | | US |
| C 563 | QFN31HJ-103Z | M CAPACITOR | .010MF 5% 50V | UF | CN412 | QJB002-111001 | SKT.WIRE ASSY | | UF |
| C 564 | QETN1HM-476Z | E CAPACITOR | 47MF 20% 50V | | CN601 | QGB2510K1-08 | CONNECTOR | | |
| C 601 | QETN1HM-475Z | E CAPACITOR | 4.7MF 20% 50V | | CN602 | QGB2510K1-09 | CONNECTOR | | |
| C 602 | QETN1HM-475Z | E CAPACITOR | 4.7MF 20% 50V | | CN605 | QGB2510K1-06 | CONNECTOR | | |
| C 603 | QDXB1CM-222Y | C CAPACITOR | | | CN606 | QGB2510K1-04 | CONNECTOR | | |
| C 604 | QDXB1CM-222Y | C CAPACITOR | | | CN701 | QGB2510K1-10 | CONNECTOR | | |
| C 605 | QETN1HM-475Z | E CAPACITOR | 4.7MF 20% 50V | | CN703 | QGB2510K1-05 | CONNECTOR | | |
| C 606 | QETN1HM-475Z | E CAPACITOR | 4.7MF 20% 50V | | CN712 | QGA2001F1-06 | 6P PLUG ASSY | | |
| C 607 | QDXB1CM-222Y | C CAPACITOR | | | CN801 | QGF1205F1-13 | CONNECTOR | | |
| C 608 | QDXB1CM-222Y | C CAPACITOR | | | CN841 | QGB2510K1-06 | CONNECTOR | | |
| C 609 | QETN1HM-475Z | E CAPACITOR | 4.7MF 20% 50V | | C1252 | QCB31HK-221Y | C CAPACITOR | 220PF 10% 50V | |
| C 610 | QETN1HM-475Z | E CAPACITOR | 4.7MF 20% 50V | | C1254 | QFVJ1HJ-104Z | MF CAPACITOR | .10MF 5% 50V | |
| C 611 | QDXB1CM-222Y | C CAPACITOR | | | D 401 | 1SR139-400-T4 | DIODE | | |
| C 612 | QDXB1CM-222Y | C CAPACITOR | | | D 402 | 1SS133-T2 | SI DIODE | | |
| C 613 | QETN1CM-476Z | E CAPACITOR | 47MF 20% 16V | | D 403 | 1SS133-T2 | SI DIODE | | |
| C 614 | QETN1CM-476Z | E CAPACITOR | 47MF 20% 16V | | D 404 | 1SS133-T2 | SI DIODE | | |
| C 615 | QETN1CM-476Z | E CAPACITOR | 47MF 20% 16V | | D 410 | 1SS133-T2 | SI DIODE | | |
| C 616 | QETN1CM-476Z | E CAPACITOR | 47MF 20% 16V | | D 411 | SLR-342VC-T | LED | (STAND-BY) | |
| C 617 | QETN1CM-476Z | E CAPACITOR | 47MF 20% 16V | | D 415 | 1SS133-T2 | SI DIODE | | |
| C 618 | QETN1CM-476Z | E CAPACITOR | 47MF 20% 16V | | D 419 | SLR-342VC-T | LED | ONE TOUCH | |
| C 619 | QETN1CM-476Z | E CAPACITOR | 47MF 20% 16V | | D 420 | SLR-342VC-T | LED | INPUT ATT | |
| C 620 | QETN1CM-476Z | E CAPACITOR | 47MF 20% 16V | | D 425 | 1SS133-T2 | SI DIODE | | |
| C 621 | QETN1CM-476Z | E CAPACITOR | 47MF 20% 16V | | D 426 | 1SS133-T2 | SI DIODE | | |
| C 622 | QDYB1CM-103Y | C CAPACITOR | | | D 427 | SLR-342VC-T | LED | | |
| C 623 | QETN1CM-476Z | E CAPACITOR | 47MF 20% 16V | | D 431 | 1SS133-T2 | SI DIODE | | |
| C 624 | QDYB1CM-103Y | C CAPACITOR | | | D 432 | 1SS133-T2 | SI DIODE | | |
| C 628 | QETN0JM-108Z | E CAPACITOR | 1000MF 20% 6.3V | | D 433 | 1SS133-T2 | SI DIODE | | |
| C 630 | QCZ0202-155Z | ML C CAPACITOR | 1.5MF | | D 435 | 1SS133-T2 | SI DIODE | | |
| C 631 | QDYB1CM-103Y | C CAPACITOR | | | D 436 | 1SS133-T2 | SI DIODE | | |
| C 632 | QETN0JM-108Z | E CAP.(C633) | 1000MF 20% 6.3V | | D 439 | 1SS133-T2 | SI DIODE | (BAND2) | |
| C 633 | QCZ0202-155Z | ML C CAPA.(C632) | (C632) | | D 553 | 1SS133-T2 | SI DIODE | | |
| C 634 | QDYB1CM-103Y | C CAPACITOR | | | D 703 | 1SS133-T2 | SI DIODE | | |
| C 635 | QDGB1HK-102Y | C CAPACITOR | | | D 704 | 1SS133-T2 | SI DIODE | | |
| C 636 | QCS11HJ-100 | C CAPACITOR | 10PF 5% 50V | | D 711 | SLR-342MC-T | LED | | |
| C 637 | QCS11HJ-470 | C CAPACITOR | 47PF 5% 50V | | D 712 | SLR-342MC-T | LED | | |
| C 638 | QCB31HK-182Z | C CAPACITOR | 1800PF 10% 50V | | DI401 | QLF0002-001 | FL | | |
| C 639 | QCZ0202-155Z | ML C CAPACITOR | 1.5MF | | FH001 | E309106-001SM | FL HOLDER | | |
| C 701 | QETN1HM-106Z | E CAPACITOR | 10MF 20% 50V | | FS001 | E3400-444 | FELT SPACER | | |
| C 702 | QETN1HM-106Z | E CAPACITOR | 10MF 20% 50V | | FS002 | E3400-444 | FELT SPACER | | |
| C 703 | QCS31HJ-271Z | C CAPACITOR | 270PF 5% 50V | | HL401 | VYH7653-001 | IC HOLDER | | |
| C 704 | QCS31HJ-271Z | C CAPACITOR | 270PF 5% 50V | | HL601 | VYH7237-002SC | IC HOLDER | | |
| C 705 | QCS11HJ-101 | C CAPACITOR | 100PF 5% 50V | | IC401 | MN173222BA | IC | | |
| C 706 | QCS11HJ-101 | C CAPACITOR | 100PF 5% 50V | | IC402 | GP1U281X | IC | | |
| C 711 | QETN1CM-107Z | E CAPACITOR | 100MF 20% 16V | | IC403 | IC-PST9139-T | IC | | |

■ Electrical parts list (System control & DSP board) Block No. 01

| △ | Item | Parts number | Parts name | Remarks | Area | △ | Item | Parts number | Parts name | Remarks | Area |
|---|-------|---------------|--------------|--------------|------|---|-------|--------------|----------------|--------------|------|
| | IC601 | TC9471F | IC | | | | R 454 | QRE141J-152Y | C RESISTOR | 1.5K 5% 1/4W | |
| | JS401 | QSW0502-001 | SWITCH | | | | R 455 | QRE141J-221Y | C RESISTOR | 220 5% 1/4W | |
| | J1251 | QNS0083-001 | 3.5 JACK | | | | R 456 | QRE141J-221Y | C RESISTOR | 220 5% 1/4W | |
| | L 601 | QQL231K-2R2Y | INDUCTOR | | | | R 457 | QRE141J-221Y | C RESISTOR | 220 5% 1/4W | |
| | Q 401 | KRC107M-T | D.TRANSISTOR | | | | R 458 | QRE141J-221Y | C RESISTOR | 220 5% 1/4W | |
| | Q 402 | KRC111M-T | TRANSISTOR | | | | R 469 | QRE141J-221Y | C RESISTOR | 220 5% 1/4W | |
| | Q 403 | KRC109M-T | D.TRANSISTOR | | | | R 551 | QRE141J-222Y | C RESISTOR | 2.2K 5% 1/4W | |
| | Q 410 | KRC107M-T | D.TRANSISTOR | | | | R 552 | QRE141J-563Y | C RESISTOR | 56K 5% 1/4W | |
| | Q 411 | KRC107M-T | D.TRANSISTOR | | | | R 553 | QRE141J-302Y | C RESISTOR | 3.0K 5% 1/4W | |
| | Q 412 | KRC107M-T | D.TRANSISTOR | | | | R 555 | QRE141J-183Y | C RESISTOR | 18K 5% 1/4W | |
| | Q 413 | KRC107M-T | D.TRANSISTOR | | | | R 556 | QRE141J-101Y | C RESISTOR | 100 5% 1/4W | |
| | Q 414 | KRC107M-T | D.TRANSISTOR | | | | R 558 | QRE141J-301Y | C RESISTOR | 300 5% 1/4W | |
| | Q 444 | KRC107M-T | D.TRANSISTOR | | | | R 560 | QRE141J-563Y | C RESISTOR | 56K 5% 1/4W | |
| | Q 551 | 2SC2240/L-T | TRANSISTOR | | | △ | R 561 | QRJ146J-331X | UNF C.RESISTOR | 330 5% 1/4W | |
| | Q 552 | 2SC2240/L-T | TRANSISTOR | | | | R 563 | QRE141J-332Y | C RESISTOR | 3.3K 5% 1/4W | |
| | Q 561 | 2SA1038S/SE-T | TRANSISTOR | | | | R 564 | QRE141J-332Y | C RESISTOR | 3.3K 5% 1/4W | |
| | Q 701 | 2SC2240/L-T | TRANSISTOR | | | | R 565 | QRE141J-332Y | C RESISTOR | 3.3K 5% 1/4W | |
| | Q 702 | 2SC2240/L-T | TRANSISTOR | | | | R 566 | QRE141J-332Y | C RESISTOR | 3.3K 5% 1/4W | |
| | Q 703 | 2SC2240/L-T | TRANSISTOR | | | △ | R 569 | QRJ146J-100X | UNF.C RESISTOR | 10 5% 1/4W | |
| | Q 704 | 2SC2240/L-T | TRANSISTOR | | | △ | R 570 | QRJ146J-100X | UNF.C RESISTOR | 10 5% 1/4W | |
| | Q 707 | 2SA1038S/SE-T | TRANSISTOR | | | | R 601 | QRE141J-271Y | C RESISTOR | 270 5% 1/4W | |
| | Q 708 | 2SA1038S/SE-T | TRANSISTOR | | | | R 602 | QRE141J-271Y | C RESISTOR | 270 5% 1/4W | |
| | Q 711 | 2SC2389S/SE-T | TRANSISTOR | | | | R 603 | QRE141J-271Y | C RESISTOR | 270 5% 1/4W | |
| | Q 712 | 2SC2389S/SE-T | TRANSISTOR | | | | R 604 | QRE141J-271Y | C RESISTOR | 270 5% 1/4W | |
| | R 401 | QRE141J-103Y | C RESISTOR | 10K 5% 1/4W | | | R 605 | QRE141J-271Y | C RESISTOR | 270 5% 1/4W | |
| | R 402 | QRE141J-331Y | C RESISTOR | 330 5% 1/4W | | | R 606 | QRE141J-271Y | C RESISTOR | 270 5% 1/4W | |
| | R 403 | QRE141J-223Y | C RESISTOR | 22K 5% 1/4W | | | R 607 | QRE141J-225Y | C RESISTOR | 2.2M 5% 1/4W | |
| | R 404 | QRE141J-103Y | C RESISTOR | 10K 5% 1/4W | | | R 608 | QRE141J-104Y | C RESISTOR | 100K 5% 1/4W | |
| | R 405 | QRE141J-472Y | C RESISTOR | 4.7K 5% 1/4W | | | R 609 | QRE141J-104Y | C RESISTOR | 100K 5% 1/4W | |
| | R 408 | QRE141J-103Y | C RESISTOR | 10K 5% 1/4W | | | R 610 | QRE141J-104Y | C RESISTOR | 100K 5% 1/4W | |
| | R 409 | QRE141J-471Y | C RESISTOR | 470 5% 1/4W | | | R 611 | QRE141J-104Y | C RESISTOR | 100K 5% 1/4W | |
| | R 410 | QRE141J-103Y | C RESISTOR | 10K 5% 1/4W | | | R 612 | QRE141J-103Y | C RESISTOR | 10K 5% 1/4W | |
| | R 411 | QRE141J-221Y | C RESISTOR | 220 5% 1/4W | | | R 613 | QRE141J-103Y | C RESISTOR | 10K 5% 1/4W | |
| | R 412 | QRE141J-103Y | C RESISTOR | 10K 5% 1/4W | | | R 614 | QRE141J-103Y | C RESISTOR | 10K 5% 1/4W | |
| | R 413 | QRE141J-103Y | C RESISTOR | 10K 5% 1/4W | | | R 701 | QRE141J-222Y | C RESISTOR | 2.2K 5% 1/4W | |
| | R 414 | QRE141J-103Y | C RESISTOR | 10K 5% 1/4W | | | R 702 | QRE141J-222Y | C RESISTOR | 2.2K 5% 1/4W | |
| | R 416 | QRE141J-103Y | C RESISTOR | 10K 5% 1/4W | | | R 703 | QRE141J-683Y | C RESISTOR | 68K 5% 1/4W | |
| | R 419 | QRE141J-472Y | C RESISTOR | 4.7K 5% 1/4W | | | R 704 | QRE141J-683Y | C RESISTOR | 68K 5% 1/4W | |
| | R 420 | QRE141J-104Y | C RESISTOR | 100K 5% 1/4W | | | R 705 | QRE141J-202Y | C RESISTOR | 2.0K 5% 1/4W | |
| | R 421 | QRE141J-104Y | C RESISTOR | 100K 5% 1/4W | | | R 706 | QRE141J-202Y | C RESISTOR | 2.0K 5% 1/4W | |
| | R 422 | QRE141J-104Y | C RESISTOR | 100K 5% 1/4W | | | R 709 | QRE141J-223Y | C RESISTOR | 22K 5% 1/4W | |
| | R 424 | QRE141J-221Y | C RESISTOR | 220 5% 1/4W | | | R 710 | QRE141J-223Y | C RESISTOR | 22K 5% 1/4W | |
| | R 425 | QRE141J-221Y | C RESISTOR | 220 5% 1/4W | | | R 711 | QRE141J-391Y | C RESISTOR | 390 5% 1/4W | |
| | R 434 | QRE141J-103Y | C RESISTOR | 10K 5% 1/4W | | | R 712 | QRE141J-391Y | C RESISTOR | 390 5% 1/4W | |
| | R 435 | QRE141J-103Y | C RESISTOR | 10K 5% 1/4W | | | R 713 | QRE141J-563Y | C RESISTOR | 56K 5% 1/4W | |
| | R 436 | QRE141J-221Y | C RESISTOR | 220 5% 1/4W | | | R 714 | QRE141J-563Y | C RESISTOR | 56K 5% 1/4W | |
| | R 437 | QRE141J-221Y | C RESISTOR | 220 5% 1/4W | | | R 717 | QRE141J-101Y | C RESISTOR | 100 5% 1/4W | |
| | R 438 | QRE141J-221Y | C RESISTOR | 220 5% 1/4W | | | R 718 | QRE141J-101Y | C RESISTOR | 100 5% 1/4W | |
| | R 439 | QRE141J-221Y | C RESISTOR | 220 5% 1/4W | | △ | R 721 | QRJ146J-121X | UNF C.RESISTOR | 120 5% 1/4W | |
| | R 440 | QRE141J-221Y | C RESISTOR | 220 5% 1/4W | | △ | R 722 | QRJ146J-121X | UNF C.RESISTOR | 120 5% 1/4W | |
| | R 441 | QRE141J-221Y | C RESISTOR | 220 5% 1/4W | | | R 727 | QRE141J-473Y | C RESISTOR | 47K 5% 1/4W | |
| | R 442 | QRE141J-221Y | C RESISTOR | 220 5% 1/4W | | | R 728 | QRE141J-473Y | C RESISTOR | 47K 5% 1/4W | |
| | R 443 | QRE141J-221Y | C RESISTOR | 220 5% 1/4W | | △ | R 729 | QRJ146J-471X | UNF C.RESISTOR | 470 5% 1/4W | |
| | R 444 | QRE141J-221Y | C RESISTOR | 220 5% 1/4W | | △ | R 730 | QRJ146J-471X | UNF C.RESISTOR | 470 5% 1/4W | |
| | R 445 | QRE141J-221Y | C RESISTOR | 220 5% 1/4W | | △ | R 739 | QRJ146J-100X | UNF.C RESISTOR | 10 5% 1/4W | |
| | R 446 | QRE141J-221Y | C RESISTOR | 220 5% 1/4W | | △ | R 740 | QRJ146J-100X | UNF.C RESISTOR | 10 5% 1/4W | |
| | R 447 | QRE141J-221Y | C RESISTOR | 220 5% 1/4W | | | RA401 | QRB049J-103 | R.NETWORK | 10K 5% 1/4W | |
| | R 448 | QRE141J-221Y | C RESISTOR | 220 5% 1/4W | | | RA402 | QRB109J-103 | R.NETWORK | 10K 5% 1/0W | |
| | R 449 | QRE141J-221Y | C RESISTOR | 220 5% 1/4W | | | R1253 | QRE141J-471Y | C RESISTOR | 470 5% 1/4W | |
| | R 450 | QRE141J-221Y | C RESISTOR | 220 5% 1/4W | | | R1254 | QRE141J-221Y | C RESISTOR | 220 5% 1/4W | |
| | R 451 | QRE141J-221Y | C RESISTOR | 220 5% 1/4W | | | S 401 | QSW0683-001Z | PUSH SWITCH | POWER | |
| | R 452 | QRE141J-221Y | C RESISTOR | 220 5% 1/4W | | | S 402 | QSW0683-001Z | PUSH SWITCH | SURROUND | |
| | R 453 | QRE141J-221Y | C RESISTOR | 220 5% 1/4W | | | S 403 | QSW0683-001Z | PUSH SWITCH | ONE TOUCH | |

■ Electrical parts list (System control & DSP board) Block No. 01

| △ | Item | Parts number | Parts name | Remarks | Area |
|---|-------|--------------|-------------|-----------|------|
| | S 404 | QSW0683-001Z | PUSH SWITCH | INPUT ATT | |
| | S 405 | QSW0683-001Z | PUSH SWITCH | DVD | |
| | S 406 | QSW0683-001Z | PUSH SWITCH | DVD MULTI | |
| | S 407 | QSW0683-001Z | PUSH SWITCH | VCR | |
| | S 408 | QSW0683-001Z | PUSH SWITCH | FM | |
| | S 409 | QSW0683-001Z | PUSH SWITCH | CONTROL | |
| | S 410 | QSW0683-001Z | PUSH SWITCH | CONTROL | |
| | S 411 | QSW0683-001Z | PUSH SWITCH | CONTROL | |
| | S 412 | QSW0683-001Z | PUSH SWITCH | CONTROL | |
| | S 413 | QSW0683-001Z | PUSH SWITCH | CD | |
| | S 414 | QSW0683-001Z | PUSH SWITCH | PHONO | |
| | S 415 | QSW0683-001Z | PUSH SWITCH | TAPE/MD | |
| | S 416 | QSW0683-001Z | PUSH SWITCH | AM | |
| | S 417 | QSW0683-001Z | PUSH SWITCH | ADJUT | |
| | S 418 | QSW0683-001Z | PUSH SWITCH | SETTING | |
| | S 419 | QSW0683-001Z | PUSH SWITCH | MEMORY | |
| | X 401 | QAX0112-001Z | RESONATOR | | |
| | X 601 | QAX0257-001Z | RESONATOR | | |

■ Electrical parts list (Power supply & Main board) Block No. 02

| △ | Item | Parts number | Parts name | Remarks | Area | △ | Item | Parts number | Parts name | Remarks | Area |
|---|-------|--------------|-----------------|-----------------|------|---|---------|---------------|----------------|---------------|------|
| | C 501 | QETN1HM-106Z | E CAPACITOR | 10MF 20% 50V | | | C 897 | QETN1EM-107Z | E CAPACITOR | 100MF 20% 25V | |
| | C 502 | QCS31HJ-271Z | C CAPACITOR | 270PF 5% 50V | | | C 903 | QETN1CM-476Z | E CAPACITOR | 47MF 20% 16V | |
| | C 503 | QCS11HJ-101 | C CAPACITOR | 100PF 5% 50V | | | C 904 | QETN1EM-106Z | E CAPACITOR | 10MF 20% 25V | |
| | C 504 | QCB31HK-152Z | C CAPACITOR | 1500PF 10% 50V | | | C 941 | QCS11HJ-221 | C CAPACITOR | 220PF 5% 50V | |
| | C 507 | QCS11HJ-220 | C CAPACITOR | 22PF 5% 50V | | | C 942 | QCS11HJ-221 | C CAPACITOR | 220PF 5% 50V | |
| | C 508 | QETN1CM-476Z | E CAPACITOR | 47MF 20% 16V | | | C 943 | QCS11HJ-221 | C CAPACITOR | 220PF 5% 50V | |
| | C 511 | QETN1HM-225Z | E CAPACITOR | 2.2MF 20% 50V | | | C 944 | QCS11HJ-221 | C CAPACITOR | 220PF 5% 50V | |
| | C 512 | QFN31HJ-103Z | M CAPACITOR | .010MF 5% 50V | UF | | C 945 | QCS11HJ-221 | C CAPACITOR | 220PF 5% 50V | |
| | C 512 | QFLC1HJ-103Z | M CAPACITOR | .010MF 5% 50V | US | | C 946 | QCS11HJ-221 | C CAPACITOR | 220PF 5% 50V | |
| | C 513 | QCS32HJ-330Z | C CAPACITOR | 33PF 5% 500V | | | C 961 | QCB1HK-331Y | C CAPACITOR | 330PF 10% 50V | |
| | C 514 | QETN1HM-476Z | E CAPACITOR | 47MF 20% 50V | | | C 962 | QCB1HK-331Y | C CAPACITOR | 330PF 10% 50V | |
| | C 517 | QETC2AM-106Z | E.CAPACITOR | 10MF 20% 100V | UF | | C 972 | QCS11HJ-221 | C CAPACITOR | 220PF 5% 50V | |
| | C 517 | QETN2AM-106Z | AL E .CAPACITOR | 10MF 20% 100V | US | | C 983 | QCS11HJ-221 | C CAPACITOR | 220PF 5% 50V | |
| | C 521 | QCS32HJ-470Z | C CAPACITOR | 47PF 5% 500V | | | C 984 | QCS11HJ-221 | C CAPACITOR | 220PF 5% 50V | |
| | C 522 | QCS32HJ-470Z | C CAPACITOR | 47PF 5% 500V | | | CN511 | QGA2001C1-09 | 9P PLUG ASSY | | |
| | C 543 | QFN31HJ-473Z | M CAPACITOR | .047MF 5% 50V | UF | | CN711 | QGB2510J1-10 | CONNECTOR | | |
| | C 543 | QFLC1HJ-473Z | M CAPACITOR | .047MF 5% 50V | US | | CN713 | QGB2510J1-05 | CONNECTOR | | |
| | C 544 | QFLC1HJ-223Z | M CAPACITOR | .022MF 5% 50V | US | | CN811 | QGF1205C1-13 | CONNECTOR | | |
| | C 544 | QFN31HJ-223Z | M CAPACITOR | .022MF 5% 50V | UF | | CN831 | QGD2501C1-03Z | SOCKET | | |
| | C 571 | QCS32HJ-470Z | C CAPACITOR | 47PF 5% 500V | | | CN851 | QGB2510J1-06 | CONNECTOR | | |
| | C 572 | QCS32HJ-470Z | C CAPACITOR | 47PF 5% 500V | | | D 503 | 1SS133-T2 | SI DIODE | | |
| | C 581 | QFN31HJ-473Z | M CAPACITOR | .047MF 5% 50V | UF | | D 511 | 1SS133-T2 | SI DIODE | | |
| | C 581 | QFLC1HJ-473Z | M CAPACITOR | .047MF 5% 50V | US | | D 512 | 1SS133-T2 | SI DIODE | | |
| | C 582 | QFLC1HJ-223Z | M CAPACITOR | .022MF 5% 50V | US | | D 531 | 1SS133-T2 | SI DIODE | | |
| | C 582 | QFN31HJ-223Z | M CAPACITOR | .022MF 5% 50V | UF | | D 585 | 1SS133-T2 | SI DIODE | | |
| | C 751 | QCS32HJ-470Z | C CAPACITOR | 47PF 5% 500V | | | D 586 | 1SS133-T2 | SI DIODE | | |
| | C 752 | QCS32HJ-470Z | C CAPACITOR | 47PF 5% 500V | | | D 591 | 1SS133-T2 | SI DIODE | | |
| | C 753 | QCS32HJ-470Z | C CAPACITOR | 47PF 5% 500V | | | D 781 | 1SS133-T2 | SI DIODE | | |
| | C 754 | QCS32HJ-470Z | C CAPACITOR | 47PF 5% 500V | | | D 782 | 1SS133-T2 | SI DIODE | | |
| | C 771 | QFN31HJ-473Z | M CAPACITOR | .047MF 5% 50V | UF | | D 783 | 1SS133-T2 | SI DIODE | | |
| | C 771 | QFLC1HJ-473Z | M CAPACITOR | .047MF 5% 50V | US | | D 784 | 1SS133-T2 | SI DIODE | | |
| | C 772 | QFLC1HJ-473Z | M CAPACITOR | .047MF 5% 50V | US | | △ D 801 | 1SR35-400A-T5 | DIODE | | |
| | C 772 | QFN31HJ-473Z | M CAPACITOR | .047MF 5% 50V | UF | | △ D 802 | 1SR35-400A-T5 | DIODE | | |
| | C 773 | QFN31HJ-223Z | M CAPACITOR | .022MF 5% 50V | UF | | △ D 803 | 1SR35-400A-T5 | DIODE | | |
| | C 773 | QFLC1HJ-223Z | M CAPACITOR | .022MF 5% 50V | US | | △ D 804 | 1SR35-400A-T5 | DIODE | | |
| | C 774 | QFLC1HJ-223Z | M CAPACITOR | .022MF 5% 50V | US | | D 805 | MTZJ12C-T2 | ZENER DIODE | | |
| | C 774 | QFN31HJ-223Z | M CAPACITOR | .022MF 5% 50V | UF | | D 806 | 1SS133-T2 | SI DIODE | | |
| | C 801 | QFN32AK-472Z | M.CAPACITOR | 4700PF 10% 100V | | | D 807 | MTZJ6.8C-T2 | Z DIODE | | |
| | C 802 | QETM1JM-477 | E CAPACITOR | 470MF 20% 63V | | | D 808 | 1SS133-T2 | SI DIODE | | |
| | C 803 | QETN1AM-477Z | E CAPACITOR | 470MF 20% 10V | | | △ D 811 | 10E2-FD | DIODE | | |
| △ | C 804 | QCZ9019-472 | C.CAPACITOR | 4700PF | | | △ D 812 | 10E2-FD | DIODE | | |
| | C 811 | QETM1VM-228 | E CAPACITOR | 2200MF 20% 35V | | | D 822 | MTZJ13C-T2 | ZENER DIODE | | |
| | C 812 | QFN32AJ-104Z | M CAPACITER | .10MF 5% 100V | | | D 831 | MTZJ7.5C-T2 | ZENER DIODE | | |
| | C 813 | QFN32AJ-104Z | M.CAPACITOR | .10MF 5% 100V | | | D 832 | MTZJ3.3B-T2 | ZENER DIODE | | |
| | C 816 | QCF31HZ-223Z | C CAPACITOR | .022MF +80:-20% | | | D 840 | MTZJ10C-T2 | Z.DIODE | | |
| | C 817 | QCF31HZ-223Z | C CAPACITOR | .022MF +80:-20% | | | D 841 | MTZJ16C-T2 | Z.DIODE | | |
| | C 821 | QETN1HM-476Z | E CAPACITOR | 47MF 20% 50V | | | D 851 | MTZJ13C-T2 | ZENER DIODE | | |
| | C 822 | QETN1HM-476Z | E CAPACITOR | 47MF 20% 50V | | | D 860 | 1SS133-T2 | SI DIODE | | |
| | C 831 | QETN1EM-107Z | E CAPACITOR | 100MF 20% 25V | | | △ D 861 | 30DF2-FC | DIODE | | |
| | C 832 | QFVJ1HJ-334Z | M.CAPACITOR | .33MF 5% 50V | | | △ D 862 | 30DF2-FC | DIODE | | |
| | C 833 | QFVF1HJ-104Z | MF CAPACITOR | .10MF 5% 50V | | | △ D 863 | 30DF2-FC | DIODE | | |
| | C 840 | QETN1HM-476Z | E CAPACITOR | 47MF 20% 50V | | | △ D 864 | 30DF2-FC | DIODE | | |
| | C 841 | QETN1HM-476Z | E CAPACITOR | 47MF 20% 50V | | | D 885 | MTZJ6.2C-T2 | Z DIODE | | |
| | C 845 | QETN1HM-476Z | E CAPACITOR | 47MF 20% 50V | | | D 891 | MTZJ6.2C-T2 | Z DIODE | | |
| | C 853 | QETN1EM-107Z | E CAPACITOR | 100MF 20% 25V | | | D 901 | 1SS133-T2 | SI DIODE | | |
| | C 854 | QETN1EM-107Z | E CAPACITOR | 100MF 20% 25V | | | D 902 | 1SS133-T2 | SI DIODE | | |
| | C 861 | QEZ0341-688 | E CAPACITER | 6800MF | | | D 921 | 1SS133-T2 | SI DIODE | | |
| | C 862 | QEZ0341-688 | E CAPACITER | 6800MF | | | D 925 | 1SS133-T2 | SI DIODE | | |
| | C 863 | QFN82CK-104 | M CAPACITER | .10MF 10% 160V | | | D 951 | 1SS133-T2 | SI DIODE | | |
| | C 864 | QFN82CK-104 | M CAPACITER | .10MF 10% 160V | | | D 952 | 1SS133-T2 | SI DIODE | | |
| | C 865 | QFN82CK-104 | M CAPACITER | .10MF 10% 160V | | | EP110 | QNZ0136-001Z | EARTH PLATE | | |
| | C 885 | QETN1HM-105Z | E CAPACITOR | 1.0MF 20% 50V | | | EP500 | QNZ0136-001Z | EARTH PLATE | | |
| | C 896 | QETN1EM-107Z | E CAPACITOR | 100MF 20% 25V | | | EP800 | E409182-001SM | GRAND TERMINAL | | |

■ Electrical parts list (Power supply & Main board) Block No. 02

| △ | Item | Parts number | Parts name | Remarks | Area | △ | Item | Parts number | Parts name | Remarks | Area |
|---|-------|----------------|-----------------|---------|------|---|-------|----------------|----------------|--------------|------|
| | EP901 | E409182-001SM | GRAND TERMINAL | | | | Q 905 | 2SC2389S/SE/-T | TRANSISTOR | | |
| | EP961 | QNZ0136-001Z | EARTH PLATE | | | | Q 906 | 2SA1038S/SE/-T | TRANSISTOR | | |
| | FC801 | QNG0020-001Z | FUSE CLIP | | | | Q 951 | KRC105M-T | D.TRANSISTOR | | |
| | FC802 | QNG0020-001Z | FUSE CLIP | | | | Q 952 | KRC105M-T | D.TRANSISTOR | | |
| | FC803 | QNG0020-001Z | FUSE CLIP | | | | R 1 | QRE141J-103Y | C RESISTOR | 10K 5% 1/4W | US |
| | FC804 | QNG0020-001Z | FUSE CLIP | | | | R 2 | QRE141J-103Y | C RESISTOR | 10K 5% 1/4W | US |
| | FC805 | QNG0020-001Z | FUSE CLIP | | US | | R 3 | QRE141J-103Y | C RESISTOR | 10K 5% 1/4W | US |
| | FC806 | QNG0020-001Z | FUSE CLIP | | US | | R 501 | QRE141J-222Y | C RESISTOR | 2.2K 5% 1/4W | |
| | FC810 | QNG0020-001Z | FUSE CLIP | | | | R 502 | QRE141J-563Y | C RESISTOR | 56K 5% 1/4W | |
| | FC811 | QNG0020-001Z | FUSE CLIP | | | | R 503 | QRE141J-302Y | C RESISTOR | 3.0K 5% 1/4W | |
| | FC812 | QNG0020-001Z | FUSE CLIP | | | | R 504 | QRE141J-101Y | C RESISTOR | 100 5% 1/4W | |
| | FC813 | QNG0020-001Z | FUSE CLIP | | | | R 505 | QRE141J-183Y | C RESISTOR | 18K 5% 1/4W | |
| | FW801 | QUM13A-13Z4Z4 | PARA RIBON WIRE | | UF | | R 507 | QRE141J-563Y | C RESISTOR | 56K 5% 1/4W | |
| | FW801 | QUM13A-08Z4Z4 | FLAT WIRE | | US | | R 508 | QRE141J-391Y | C RESISTOR | 390 5% 1/4W | |
| | FW831 | QUM133-10DGZ4 | PARA RIBON WIRE | | | △ | R 511 | QRJ146J-331X | UNF.C.RESISTOR | 330 5% 1/4W | |
| | FW901 | QUM136-40Z4Z4 | PARA RIBON WIRE | | | | R 512 | QRE141J-332Y | C RESISTOR | 3.3K 5% 1/4W | |
| | FW902 | QUM135-20Z4Z4 | PARA RIBON WIRE | | | | R 513 | QRE141J-332Y | C RESISTOR | 3.3K 5% 1/4W | |
| | FW961 | QUM133-10Z4Z4 | PARA RIBON WIRE | | | | R 514 | QRE141J-332Y | C RESISTOR | 3.3K 5% 1/4W | |
| | HS805 | E70945-H40B | HEAT SINK | | | | R 515 | QRE141J-332Y | C RESISTOR | 3.3K 5% 1/4W | |
| | HS841 | E70306-001 | HEAT SINK | | | △ | R 517 | QRJ146J-100X | UNF.C RESISTOR | 10 5% 1/4W | |
| | HS851 | E70945-H40B | HEAT SINK | | | △ | R 518 | QRJ146J-100X | UNF.C RESISTOR | 10 5% 1/4W | |
| | HS891 | E70306-001 | HEAT SINK | | | △ | R 523 | QRJ146J-100X | UNF.C RESISTOR | 10 5% 1/4W | |
| | IC831 | NJM78M05FA | IC | | | △ | R 524 | QRJ146J-100X | UNF.C RESISTOR | 10 5% 1/4W | |
| | J 961 | QNS0023-001 | JACK | | | △ | R 527 | QRZ0196-R22 | EMIT.RESISTOR | 1/1W | |
| | L 501 | QQLZ005-R45 | INDUCTOR | | | | R 528 | QRJ125J-330 | UNF.C RESISTOR | 33 5% 1/2W | |
| | L 581 | QQLZ005-R45 | INDUCTOR | | | | R 531 | QRE141J-102Y | C RESISTOR | 1.0K 5% 1/4W | |
| | L 771 | QQLZ005-R45 | INDUCTOR | | | | R 532 | QRE141J-183Y | C RESISTOR | 18K 5% 1/4W | |
| | L 772 | QQLZ005-R45 | INDUCTOR | | | | R 533 | QRE141J-123Y | C RESISTOR | 12K 5% 1/4W | |
| | LA801 | E67132-T3R15 | T3R15 FUSE LABE | | UF | | R 541 | QRE141J-471Y | C RESISTOR | 470 5% 1/4W | |
| | LA801 | E67132-T6R3 | T6R3 FUSE LABEL | | US | | R 542 | QRE141J-361Y | C RESISTOR | 360 5% 1/4W | |
| | LA803 | E67132-T3R15 | FUSE LABEL | | US | | R 543 | QRE141J-181Y | C RESISTOR | 180 5% 1/4W | |
| | LA811 | E67132-T2R0 | T2R0 FUSE LABEL | | | | R 544 | QRE141J-181Y | C RESISTOR | 180 5% 1/4W | |
| | LA812 | E67132-T2R0 | T2R0 FUSE LABEL | | | | R 545 | QRE141J-181Y | C RESISTOR | 180 5% 1/4W | |
| | Q 501 | 2SC2240/L/-T | TRANSISTOR | | | | R 546 | QRE141J-181Y | C RESISTOR | 180 5% 1/4W | |
| | Q 502 | 2SC2240/L/-T | TRANSISTOR | | | △ | R 547 | QRL022J-100 | UNF.OMF.RES. | 10 5% 1/2W | |
| | Q 503 | 2SA1038S/SE/-T | TRANSISTOR | | | | R 548 | QRE141J-104Y | C RESISTOR | 100K 5% 1/4W | |
| | Q 509 | 2SA1038S/SE/-T | TRANSISTOR | | | | R 549 | QRE141J-301Y | C RESISTOR | 300 5% 1/4W | |
| | Q 511 | 2SC2389S/SE/-T | TRANSISTOR | | | | R 550 | QRE141J-104Y | C RESISTOR | 100K 5% 1/4W | |
| | Q 512 | 2SA1038S/SE/-T | TRANSISTOR | | | | R 562 | QRE141J-471Y | C RESISTOR | 470 5% 1/4W | |
| | Q 540 | 2SD637/QR/ | TRANSISTOR | | | | R 567 | QRE141J-361Y | C RESISTOR | 360 5% 1/4W | |
| | Q 568 | 2SD637/QR/ | TRANSISTOR | | | △ | R 571 | QRJ146J-100X | UNF.C RESISTOR | 10 5% 1/4W | |
| | Q 585 | 2SC2389S/SE/-T | TRANSISTOR | | | △ | R 572 | QRJ146J-100X | UNF.C RESISTOR | 10 5% 1/4W | |
| | Q 586 | 2SA1038S/SE/-T | TRANSISTOR | | | | R 576 | QRE141J-301Y | C RESISTOR | 300 5% 1/4W | |
| | Q 591 | 2SA1038S/SE/-T | TRANSISTOR | | | △ | R 577 | QRZ0196-R22 | EMIT.RESISTOR | 1/1W | |
| | Q 741 | 2SD637/QR/ | TRANSISTOR | | | △ | R 581 | QRJ125J-330 | UNF.C.RESISTOR | 33 5% 1/2W | |
| | Q 742 | 2SD637/QR/ | TRANSISTOR | | | △ | R 582 | QRL022J-100 | UNF.OMF.RES. | 10 5% 1/2W | |
| | Q 781 | 2SC2389S/SE/-T | TRANSISTOR | | | | R 585 | QRE141J-181Y | C RESISTOR | 180 5% 1/4W | |
| | Q 782 | 2SC2389S/SE/-T | TRANSISTOR | | | | R 586 | QRE141J-181Y | C RESISTOR | 180 5% 1/4W | |
| | Q 783 | 2SA1038S/SE/-T | TRANSISTOR | | | | R 587 | QRE141J-181Y | C RESISTOR | 180 5% 1/4W | |
| | Q 784 | 2SA1038S/SE/-T | TRANSISTOR | | | | R 588 | QRE141J-181Y | C RESISTOR | 180 5% 1/4W | |
| | Q 802 | 2SC2235/OY/-T | TRANSISTOR | | | | R 591 | QRE141J-102Y | C RESISTOR | 1.0K 5% 1/4W | |
| | Q 803 | KRC105M-T | D.TRANSISTOR | | | | R 592 | QRE141J-183Y | C RESISTOR | 18K 5% 1/4W | |
| | Q 805 | 2SD1266/Q/ | TRANSISTOR | | | | R 593 | QRE141J-473Y | C RESISTOR | 47K 5% 1/4W | |
| | Q 821 | 2SB1566/EF/ | TRANSISTOR | | | | R 594 | QRE141J-104Y | C RESISTOR | 100K 5% 1/4W | |
| | Q 841 | 2SB1566/EF/ | TRANSISTOR | | | | R 743 | QRE141J-471Y | C RESISTOR | 470 5% 1/4W | |
| | Q 851 | 2SD2395/EF/ | TRANSISTOR | | | | R 744 | QRE141J-471Y | C RESISTOR | 470 5% 1/4W | |
| | Q 860 | KRC105M-T | D.TRANSISTOR | | | | R 745 | QRE141J-361Y | C RESISTOR | 360 5% 1/4W | |
| | Q 885 | 2SC2240/GL/-T | TRANSISTOR | | | | R 746 | QRE141J-361Y | C RESISTOR | 360 5% 1/4W | |
| | Q 891 | 2SD2395/EF/ | TRANSISTOR | | | | R 747 | QRE141J-471Y | C RESISTOR | 470 5% 1/4W | |
| | Q 901 | 2SA1038S/SE/-T | TRANSISTOR | | | | R 748 | QRE141J-471Y | C RESISTOR | 470 5% 1/4W | |
| | Q 902 | 2SA1038S/SE/-T | TRANSISTOR | | | △ | R 751 | QRJ146J-100X | UNF.C RESISTOR | 10 5% 1/4W | |
| | Q 903 | KRC105M-T | D.TRANSISTOR | | | △ | R 752 | QRJ146J-100X | UNF.C RESISTOR | 10 5% 1/4W | |
| | Q 904 | KTC3199/GL/-T | TRANSISTOR | | | △ | R 753 | QRJ146J-100X | UNF.C RESISTOR | 10 5% 1/4W | |

■ Electrical parts list (Power supply & Main board) Block No. 02

| △ | Item | Parts number | Parts name | Remarks | Area |
|---|-------|--------------|----------------|--------------|------|
| △ | R 754 | QRJ146J-100X | UNF.C RESISTOR | 10 5% 1/4W | |
| △ | R 771 | QRZ0196-R22 | EMIT.RESISTOR | 1/1W | |
| △ | R 772 | QRZ0196-R22 | EMIT.RESISTOR | 1/1W | |
| △ | R 773 | QRJ125J-330 | UNF.C.RESISTOR | 33 5% 1/2W | |
| △ | R 774 | QRJ125J-330 | UNF.C.RESISTOR | 33 5% 1/2W | |
| △ | R 775 | QRL022J-100 | UNF.OMF.RES. | 10 5% 1/2W | |
| △ | R 776 | QRL022J-100 | UNF.OMF.RES. | 10 5% 1/2W | |
| | R 781 | QRE141J-181Y | C RESISTOR | 180 5% 1/4W | |
| | R 782 | QRE141J-181Y | C RESISTOR | 180 5% 1/4W | |
| | R 783 | QRE141J-181Y | C RESISTOR | 180 5% 1/4W | |
| | R 784 | QRE141J-181Y | C RESISTOR | 180 5% 1/4W | |
| | R 785 | QRE141J-121Y | C RESISTOR | 120 5% 1/4W | |
| | R 786 | QRE141J-121Y | C RESISTOR | 120 5% 1/4W | |
| | R 787 | QRE141J-121Y | C RESISTOR | 120 5% 1/4W | |
| | R 788 | QRE141J-121Y | C RESISTOR | 120 5% 1/4W | |
| △ | R 801 | QRJ146J-3R3X | UNF C.RESISTOR | 3.3 5% 1/4W | |
| △ | R 803 | QRJ146J-821X | UNF C.RESISTOR | 820 5% 1/4W | |
| △ | R 806 | QRJ146J-153X | UNF C.RESISTOR | 15K 5% 1/4W | |
| △ | R 807 | QRL012J-332 | UNF.OMF.RES. | 3.3K 5% 1/1W | |
| △ | R 808 | QRJ146J-8R2X | UNF C.RESISTOR | 8.2 5% 1/4W | |
| △ | R 821 | QRJ146J-100X | UNF.C RESISTOR | 10 5% 1/4W | |
| △ | R 822 | QRJ146J-182X | UNF C.RESISTOR | 1.8K 5% 1/4W | |
| △ | R 830 | QRZ9006-4R7X | F RESISTOR | 4.7 1/0W | |
| △ | R 831 | QRZ9006-4R7X | F RESISTOR | 4.7 1/0W | |
| △ | R 832 | QRJ146J-272X | UNF C.RESISTOR | 2.7K 5% 1/4W | |
| △ | R 840 | QRJ146J-220X | UNF C.RESISTOR | 22 5% 1/4W | |
| △ | R 841 | QRZ9005-100X | F.RESISTOR | 10 1/0W | |
| △ | R 842 | QRJ146J-472X | UNF C.RESISTOR | 4.7K 5% 1/4W | |
| △ | R 843 | QRJ146J-100X | UNF.C RESISTOR | 10 5% 1/4W | |
| △ | R 845 | QRJ146J-102X | UNF C.RESISTOR | 1.0K 5% 1/4W | |
| △ | R 853 | QRZ9006-4R7X | F RESISTOR | 4.7 1/0W | |
| △ | R 854 | QRK126J-562X | UNF.C.RESISTOR | 5.6K 5% 1/2W | |
| △ | R 860 | QRJ146J-220X | UNF C.RESISTOR | 22 5% 1/4W | |
| | R 885 | QRE141J-104Y | C RESISTOR | 100K 5% 1/4W | |
| △ | R 891 | QRZ9005-100X | F.RESISTOR | 10 1/0W | |
| △ | R 892 | QRJ146J-272X | UNF C.RESISTOR | 2.7K 5% 1/4W | |
| | R 901 | QRE141J-102Y | C RESISTOR | 1.0K 5% 1/4W | |
| | R 902 | QRE141J-102Y | C RESISTOR | 1.0K 5% 1/4W | |
| | R 903 | QRE141J-153Y | C RESISTOR | 15K 5% 1/4W | |
| | R 904 | QRE141J-153Y | C RESISTOR | 15K 5% 1/4W | |
| | R 905 | QRE141J-473Y | C RESISTOR | 47K 5% 1/4W | |
| | R 906 | QRE141J-473Y | C RESISTOR | 47K 5% 1/4W | |
| | R 909 | QRE141J-104Y | C RESISTOR | 100K 5% 1/4W | |
| | R 910 | QRE141J-823Y | C RESISTOR | 82K 5% 1/4W | |
| | R 911 | QRE141J-103Y | C RESISTOR | 10K 5% 1/4W | |
| | R 915 | QRE141J-103Y | C RESISTOR | 10K 5% 1/4W | |
| | R 916 | QRE141J-104Y | C RESISTOR | 100K 5% 1/4W | |
| | R 917 | QRE141J-103Y | C RESISTOR | 10K 5% 1/4W | |
| | R 918 | QRE141J-104Y | C RESISTOR | 100K 5% 1/4W | |
| △ | R 921 | QRJ146J-101X | UNF C.RESISTOR | 100 5% 1/4W | |
| △ | R 951 | QRJ146J-101X | UNF C.RESISTOR | 100 5% 1/4W | |
| △ | R 952 | QRJ146J-101X | UNF C.RESISTOR | 100 5% 1/4W | |
| △ | R 961 | QRL022J-471 | UNF OMF.RES. | 470 5% 1/2W | |
| △ | R 962 | QRL022J-471 | UNF OMF.RES. | 470 5% 1/2W | |
| △ | RY801 | QSK0055-001 | RELAY | | |
| △ | RY860 | QSK0082-001 | RELAY | | |
| △ | RY921 | QSK0109-001 | RELAY | | |
| △ | RY951 | QSK0109-001 | RELAY | | |
| △ | RY952 | QSK0109-001 | RELAY | | |
| | S 901 | QSW0653-001 | PUSH SWITCH | | |
| | ST901 | QNB0007-001 | SPK TERMINAL | | |
| | ST951 | QNB0016-001 | SPK TERMINAL | | |
| | T 801 | QQT0281-004 | POWER TRANSF | | |

| △ | Item | Parts number | Parts name | Remarks | Area |
|---|-------|--------------|-----------------|---------|------|
| | TA801 | QNZ0079-001Z | TAB | | |
| | TA802 | QNZ0079-001Z | TAB I.M | | |
| | TH540 | QAD0012-202 | THERMISTOR | | |
| | TH568 | QAD0012-202 | THERMISTOR | | |
| | TH749 | QAD0012-202 | THERMISTOR | | |
| | TH750 | QAD0012-202 | THERMISTOR | | |
| | TP001 | QMV5005-004K | 4P PLUG ASSY | | |
| | VR741 | QVP0004-102Z | SEMI.V.RESISTOR | | |
| | VR742 | QVP0004-102Z | SEMI.V.RESISTOR | | |
| △ | VS801 | QSW0524-001 | VOLTAGE SWITCH | | US |

■ Electrical parts list (AV input / output board)

Block No. 03

| △ | Item | Parts number | Parts name | Remarks | Area |
|---|-------|--------------|-------------|-----------------|------|
| | C 181 | QFN31HJ-562Z | M CAPACITOR | 5600PF 5% 50V | UF |
| | C 181 | QFLC1HJ-562Z | M CAPACITOR | 5600PF 5% 50V | US |
| | C 182 | QFLC1HJ-562Z | M CAPACITOR | 5600PF 5% 50V | US |
| | C 182 | QFN31HJ-562Z | M CAPACITOR | 5600PF 5% 50V | UF |
| | C 201 | QCB1HK-331Y | C CAPACITOR | 330PF 10% 50V | |
| | C 202 | QCB1HK-331Y | C CAPACITOR | 330PF 10% 50V | |
| | C 203 | QCB1HK-331Y | C CAPACITOR | 330PF 10% 50V | |
| | C 204 | QCB1HK-331Y | C CAPACITOR | 330PF 10% 50V | |
| | C 205 | QCB1HK-331Y | C CAPACITOR | 330PF 10% 50V | |
| | C 206 | QCB1HK-331Y | C CAPACITOR | 330PF 10% 50V | |
| | C 211 | QETN0JM-108Z | E CAPACITOR | 1000MF 20% 6.3V | |
| | C 212 | QETN1HM-475Z | E CAPACITOR | 4.7MF 20% 50V | |
| | C 213 | QETN1HM-475Z | E CAPACITOR | 4.7MF 20% 50V | |
| | C 214 | QETN0JM-108Z | E CAPACITOR | 1000MF 20% 6.3V | |
| | C 215 | QDVB1EZ-223Y | C CAPACITOR | | |
| | C 216 | QETN1CM-108Z | E CAPACITOR | 1000MF 20% 16V | |
| | C 217 | QCS11HJ-470 | C CAPACITOR | 47PF 5% 50V | |
| | C 218 | QCS11HJ-470 | C CAPACITOR | 47PF 5% 50V | |
| | C 219 | QETN1HM-104Z | 05CAPACITOR | .10MF 20% 50V | |
| | C 261 | QETN1EM-476Z | E CAPACITOR | 47MF 20% 25V | |
| | C 300 | QDVB1EZ-223Y | C CAPACITOR | | |
| | C 301 | QETN1HM-475Z | E CAPACITOR | 4.7MF 20% 50V | |
| | C 302 | QETN1HM-475Z | E CAPACITOR | 4.7MF 20% 50V | |
| | C 303 | QCB1HK-101Y | C CAPACITOR | 100PF 10% 50V | |
| | C 304 | QCB1HK-101Y | C CAPACITOR | 100PF 10% 50V | |
| | C 305 | QFN31HJ-182Z | M CAPACITOR | 1800PF 5% 50V | UF |
| | C 305 | QFLC1HJ-182Z | M CAPACITOR | 1800PF 5% 50V | US |
| | C 306 | QFLC1HJ-182Z | M CAPACITOR | 1800PF 5% 50V | US |
| | C 306 | QFN31HJ-182Z | M CAPACITOR | 1800PF 5% 50V | UF |
| | C 307 | QFN31HJ-682Z | M CAPACITOR | 6800PF 5% 50V | UF |
| | C 307 | QFLC1HJ-682Z | M CAPACITOR | 6800PF 5% 50V | US |
| | C 308 | QFLC1HJ-682Z | M CAPACITOR | 6800PF 5% 50V | US |
| | C 308 | QFN31HJ-682Z | M CAPACITOR | 6800PF 5% 50V | UF |
| | C 309 | QCS11HJ-101 | C CAPACITOR | 100PF 5% 50V | |
| | C 310 | QCS11HJ-101 | C CAPACITOR | 100PF 5% 50V | |
| | C 311 | QETN1HM-475Z | E CAPACITOR | 4.7MF 20% 50V | |
| | C 312 | QETN1HM-475Z | E CAPACITOR | 4.7MF 20% 50V | |
| | C 313 | QETN1AM-107Z | E CAPACITOR | 100MF 20% 10V | |
| | C 314 | QETN1AM-107Z | E CAPACITOR | 100MF 20% 10V | |
| | C 315 | QETN1CM-476Z | E CAPACITOR | 47MF 20% 16V | |
| | C 316 | QETN1CM-476Z | E CAPACITOR | 47MF 20% 16V | |
| | C 321 | QDVB1EZ-223Y | C CAPACITOR | | |
| | C 322 | QDVB1EZ-223Y | C CAPACITOR | | |
| | C 323 | QCB1HK-221Y | C CAPACITOR | 220PF 10% 50V | |
| | C 325 | QCB1HK-331Y | C CAPACITOR | 330PF 10% 50V | |
| | C 326 | QCB1HK-331Y | C CAPACITOR | 330PF 10% 50V | |
| | C 327 | QCB1HK-331Y | C CAPACITOR | 330PF 10% 50V | |
| | C 328 | QCB1HK-331Y | C CAPACITOR | 330PF 10% 50V | |
| | C 329 | QCB1HK-331Y | C CAPACITOR | 330PF 10% 50V | |
| | C 330 | QCB1HK-331Y | C CAPACITOR | 330PF 10% 50V | |
| | C 331 | QCB1HK-331Y | C CAPACITOR | 330PF 10% 50V | |
| | C 332 | QCB1HK-331Y | C CAPACITOR | 330PF 10% 50V | |
| | C 333 | QCB1HK-331Y | C CAPACITOR | 330PF 10% 50V | |
| | C 334 | QCB1HK-331Y | C CAPACITOR | 330PF 10% 50V | |
| | C 335 | QCB1HK-331Y | C CAPACITOR | 330PF 10% 50V | |
| | C 336 | QCB1HK-331Y | C CAPACITOR | 330PF 10% 50V | |
| | C 337 | QCB1HK-331Y | C CAPACITOR | 330PF 10% 50V | |
| | C 338 | QCB1HK-331Y | C CAPACITOR | 330PF 10% 50V | |
| | C 339 | QCB1HK-221Y | C CAPACITOR | 220PF 10% 50V | |
| | C 340 | QCB1HK-221Y | C CAPACITOR | 220PF 10% 50V | |
| | C 341 | QETN1HM-475Z | E CAPACITOR | 4.7MF 20% 50V | |
| | C 342 | QETN1HM-475Z | E CAPACITOR | 4.7MF 20% 50V | |
| | C 343 | QETN1HM-475Z | E CAPACITOR | 4.7MF 20% 50V | |

| △ | Item | Parts number | Parts name | Remarks | Area |
|---|-------|---------------|----------------|-----------------|------|
| | C 344 | QETN1HM-475Z | E CAPACITOR | 4.7MF 20% 50V | |
| | C 345 | QDVB1EZ-223Y | C CAPACITOR | | |
| | C 346 | QDVB1EZ-223Y | C CAPACITOR | | |
| | C 347 | QCB1HK-221Y | C CAPACITOR | 220PF 10% 50V | |
| | C 348 | QCB1HK-221Y | C CAPACITOR | 220PF 10% 50V | |
| | C 351 | QETN1HM-105Z | E CAPACITOR | 1.0MF 20% 50V | |
| | C 352 | QETN1HM-105Z | E CAPACITOR | 1.0MF 20% 50V | |
| | C 353 | QDVB1EZ-223Y | C CAPACITOR | | |
| | C 354 | QDVB1EZ-223Y | C CAPACITOR | | |
| | C 355 | QETN1HM-105Z | E CAPACITOR | 1.0MF 20% 50V | |
| | C 356 | QETN1HM-105Z | E CAPACITOR | 1.0MF 20% 50V | |
| | C 357 | QDVB1EZ-223Y | C CAPACITOR | | |
| | C 358 | QDVB1EZ-223Y | C CAPACITOR | | |
| | C 359 | QDVB1EZ-223Y | C CAPACITOR | | |
| | C 360 | QDVB1EZ-223Y | C CAPACITOR | | |
| | C 361 | QETN1HM-475Z | E CAPACITOR | 4.7MF 20% 50V | |
| | C 362 | QETN1EM-226Z | E CAPACITOR | 22MF 20% 25V | |
| | C 363 | QETN1EM-226Z | E CAPACITOR | 22MF 20% 25V | |
| | C 364 | QETN1HM-475Z | E CAPACITOR | 4.7MF 20% 50V | |
| | C 365 | QETN1HM-225Z | E CAPACITOR | 2.2MF 20% 50V | |
| | C 366 | QETN1HM-225Z | E CAPACITOR | 2.2MF 20% 50V | |
| | C 367 | QCB1HK-221Y | C CAPACITOR | 220PF 10% 50V | |
| | C 371 | QCB1HK-822Z | C CAPACITOR | 8200PF 10% 50V | |
| | C 372 | QCB1HK-822Z | C CAPACITOR | 8200PF 10% 50V | |
| | C 373 | QFN31HJ-153Z | M CAPACITOR | .015MF 5% 50V | UF |
| | C 373 | QFLC1HJ-153Z | M CAPACITOR | .015MF 5% 50V | US |
| | C 374 | QFLC1HJ-153Z | M CAPACITOR | .015MF 5% 50V | US |
| | C 374 | QFN31HJ-153Z | M CAPACITOR | .015MF 5% 50V | UF |
| | C 375 | QFVF1HJ-334Z | MF CAPACITOR | .33MF 5% 50V | |
| | C 376 | QFVF1HJ-334Z | MF CAPACITOR | .33MF 5% 50V | |
| | C 377 | QDVB1EZ-223Y | C CAPACITOR | | |
| | C 378 | QDVB1EZ-223Y | C CAPACITOR | | |
| | C 379 | QETN1HM-475Z | E CAPACITOR | 4.7MF 20% 50V | |
| | C 380 | QETN1HM-475Z | E CAPACITOR | 4.7MF 20% 50V | |
| | C 381 | QETN1EM-476Z | E CAPACITOR | 47MF 20% 25V | |
| | C 382 | QETN1EM-476Z | E CAPACITOR | 47MF 20% 25V | |
| | C 383 | QCF31HZ-223Z | C CAPACITOR | .022MF +80:-20% | |
| | C 384 | QETN1EM-107Z | E CAPACITOR | 100MF 20% 25V | |
| | C 385 | QDVB1EZ-223Y | C CAPACITOR | | |
| | C 387 | QDVB1EZ-223Y | C CAPACITOR | | |
| | C 388 | QDVB1EZ-223Y | C CAPACITOR | | |
| | C 389 | QDVB1EZ-223Y | C CAPACITOR | | |
| | C 390 | QDVB1EZ-223Y | C CAPACITOR | | |
| | C 391 | QCB1HK-471Y | C CAPACITOR | 470PF 10% 50V | |
| | C 392 | QFVF1HJ-104Z | MF CAPACITOR | .10MF 5% 50V | |
| | C 393 | QETN0JM-477Z | E CAPACITOR | 470MF 20% 6.3V | |
| | C 395 | QDGB1HK-102Y | C CAPACITOR | | |
| | CN121 | QGB2501J1-12 | CONNECTOR | | |
| | CN301 | QGB2510K1-15 | CONNECTOR | | |
| | CN311 | QGB2510J1-15 | CONNECTOR | | |
| | CN314 | QGF1205C1-29 | CONNECTOR | | |
| | CN501 | QJB001-091304 | C-B WIRE ASSY | | UF |
| | CN501 | QJK021-091304 | CONN.WIRE ASSY | | US |
| | CN502 | QJP010-034001 | CONN.WIRE ASSY | | US |
| | CN502 | QJF001-03400H | SKT.WIRE ASSY | | UF |
| | CN512 | QGA2001C1-03 | 3P PLUG ASSY | | |
| | CN603 | QGB2510K1-07 | CONNECTOR | | |
| | CN604 | QGB2510K1-07 | CONNECTOR | | |
| | CN608 | QGB2510K1-04 | CONNECTOR | | |
| | CN609 | QJF001-03360H | SKT WIRE | | UF |
| | CN609 | QJP010-033601 | CONN.WIRE ASSY | | US |
| | CN611 | QGB2510J1-08 | CONNECTOR | | |
| | CN612 | QGB2510J1-09 | CONNECTOR | | |

■ Electrical parts list (AV input / output board)

Block No. 03

| ▲ | Item | Parts number | Parts name | Remarks | Area | ▲ | Item | Parts number | Parts name | Remarks | Area |
|---|-------|---------------|-----------------|----------------|------|---|-------|----------------|-----------------|------------|------|
| | CN613 | QGB2510J1-07 | CONNECTOR | | | | D1531 | 1SS133-T2 | SI DIODE | | |
| | CN614 | QGB2510J1-07 | CONNECTOR | | | | EP201 | E409182-001SM | GRAND TERMINAL | | |
| | CN615 | QGB2510J1-06 | CONNECTOR | | | | FL141 | QQR0590-001 | FILTER | | |
| | CN616 | QGB2510J1-04 | CONNECTOR | | | | FL142 | QQR0590-001 | FILTER | | |
| | CN618 | QGB2510J1-04 | CONNECTOR | | | | HL341 | VYH7237-003SC | IC HOLDER | | |
| | CN619 | QGA2001C1-03 | 3P PLUG ASSY | | | | IC201 | NJM2246D | IC | | |
| | CN702 | QJF002-06360H | SOCKET WIRE ASS | | UF | | IC301 | NJM4580D-D | IC | | |
| | CN702 | QJP009-063601 | CONN.WIRE ASSY | | US | | IC311 | BA15218N | IC | | |
| | C1001 | QETN1HM-475Z | E CAPACITOR | 4.7MF 20% 50V | | | IC312 | BA15218N | IC | | |
| | C1002 | QETN1HM-475Z | E CAPACITOR | 4.7MF 20% 50V | | | IC313 | BA15218N | IC | | |
| | C1003 | QETN1HM-475Z | E CAPACITOR | 4.7MF 20% 50V | | | IC321 | TC9164AN | IC | | |
| | C1004 | QETN1HM-475Z | E CAPACITOR | 4.7MF 20% 50V | | | IC322 | TC9162AN | IC | | |
| | C1005 | QETN1HM-474Z | E CAPACITOR | .47MF 20% 50V | | | IC323 | BU4066BC | IC | | |
| | C1006 | QETN1HM-474Z | E CAPACITOR | .47MF 20% 50V | | | IC331 | BA15218 | IC | | |
| | C1007 | QFN31HJ-223Z | M CAPACITOR | .022MF 5% 50V | UF | | IC332 | BA15218 | IC | | |
| | C1007 | QFLC1HJ-223Z | M CAPACITOR | .022MF 5% 50V | US | | IC333 | BA15218 | IC | | |
| | C1008 | QFLC1HJ-223Z | M CAPACITOR | .022MF 5% 50V | US | | IC341 | M62446FP-X | IC | | |
| | C1008 | QFN31HJ-223Z | M CAPACITOR | .022MF 5% 50V | UF | | IC351 | BA15218N | IC | | |
| | C1011 | QDVB1EZ-223Y | C CAPACITOR | | | | IC352 | BA15218N | IC | | |
| | C1012 | QDVB1EZ-223Y | C CAPACITOR | | | | J 211 | QNN0180-001 | PIN JACK | | |
| | C1013 | QCBB1HK-101Y | C CAPACITOR | 100PF 10% 50V | | | J 212 | QNN0059-001 | PIN JACK | (VCR REC) | |
| | C1014 | QCBB1HK-101Y | C CAPACITOR | 100PF 10% 50V | | | J 213 | QNN0059-001 | PIN JACK | (VCR PLAY) | |
| | C1031 | QETN1HM-475Z | E CAPACITOR | 4.7MF 20% 50V | | | J 214 | QNN0059-001 | PIN JACK | (DVD) | |
| | C1032 | QETN1HM-475Z | E CAPACITOR | 4.7MF 20% 50V | | | J 215 | QNN0059-001 | PIN JACK | (M.OUT) | |
| | C1033 | QETN1HM-475Z | E CAPACITOR | 4.7MF 20% 50V | | | J 301 | QNN0163-001 | PIN JACK | | |
| | C1034 | QETN1HM-475Z | E CAPACITOR | 4.7MF 20% 50V | | | J 302 | QNN0163-001 | PIN JACK | | |
| | C1035 | QETN1HM-475Z | E CAPACITOR | 4.7MF 20% 50V | | | J 303 | QNN0163-001 | PIN JACK | | |
| | C1036 | QETN1HM-475Z | E CAPACITOR | 4.7MF 20% 50V | | | J 311 | QNN0060-001 | PIN JACK | | |
| | C1038 | QETN1HM-475Z | E CAPACITOR | 4.7MF 20% 50V | | | K1001 | QQR0601-001Z | FERRITE BEADS | | |
| | C1051 | QETN1HM-475Z | E CAPACITOR | 4.7MF 20% 50V | | | K1002 | QQR0601-001Z | FERRITE BEADS | | |
| | C1052 | QETN1HM-475Z | E CAPACITOR | 4.7MF 20% 50V | | | L1501 | QQLZ005-R45 | INDUCTOR | | |
| | C1053 | QETN1HM-475Z | E CAPACITOR | 4.7MF 20% 50V | | | Q 201 | 2SC458/CD/-T | TRANSISTOR | | |
| | C1054 | QETN1HM-475Z | E CAPACITOR | 4.7MF 20% 50V | | | Q 203 | KRC101M-T | TR I/M | | |
| | C1055 | QETN1HM-475Z | E CAPACITOR | 4.7MF 20% 50V | | | Q 216 | 2SC458/CD/-T | TRANSISTOR | | |
| | C1056 | QETN1HM-475Z | E CAPACITOR | 4.7MF 20% 50V | | | Q 217 | KTA1267/YG/-T | TRANSISTOR | | |
| | C1057 | QETN1AM-107Z | E CAPACITOR | 100MF 20% 10V | | | Q 218 | KTA1267/YG/-T | TRANSISTOR | | |
| | C1500 | QCBB1HK-471Y | C CAPACITOR | 470PF 10% 50V | | | Q 341 | 2SD2144S/VW/-T | TRANSISTOR | | |
| | C1501 | QEHR1HM-106Z | E CAPACITOR | 10MF 20% 50V | | | Q 342 | 2SD2144S/VW/-T | TRANSISTOR | | |
| | C1502 | QCS31HJ-271Z | C CAPACITOR | 270PF 5% 50V | | | Q 351 | KRA104M-T | D.TRANSISTOR | | |
| | C1503 | QCS11HJ-101 | C CAPACITOR | 100PF 5% 50V | | | Q 352 | KRC104M-T | D.TRANSISTOR | | |
| | C1504 | QCB31HK-152Z | C CAPACITOR | 1500PF 10% 50V | | | Q 353 | KRA104M-T | D.TRANSISTOR | | |
| | C1507 | QCS11HJ-220 | C CAPACITOR | 22PF 5% 50V | | | Q 354 | KRA104M-T | D.TRANSISTOR | | |
| | C1508 | QEHR1VM-476Z | E CAPACITOR | 47MF 20% 35V | | | Q 361 | 2SK301/QR/-T | TRANSISTOR(FET) | | |
| | C1511 | QEHR1HM-225Z | E CAPACITOR | 2.2MF 20% 50V | | | Q 362 | 2SK301/QR/-T | TRANSISTOR(FET) | | |
| | C1512 | QFN31HJ-103Z | M CAPACITOR | .010MF 5% 50V | UF | | Q 363 | 2SK301/QR/-T | TRANSISTOR(FET) | | |
| | C1512 | QFLC1HJ-103Z | M CAPACITOR | .010MF 5% 50V | US | | Q 364 | 2SK301/QR/-T | TRANSISTOR(FET) | | |
| | C1513 | QCS32HJ-330Z | C CAPACITOR | 33PF 5% 500V | | | Q 365 | 2SD2144S/VW/-T | TRANSISTOR | | |
| | C1514 | QEHR1HM-476Z | E CAPACITOR | 47MF 20% 50V | | | Q 366 | 2SD2144S/VW/-T | TRANSISTOR | | |
| | C1517 | QEHR2AM-106Z | E CAPACITOR | 10MF 20% 100V | | | Q 367 | 2SD2144S/VW/-T | TRANSISTOR | | |
| | C1521 | QCS32HJ-470Z | C CAPACITOR | 47PF 5% 500V | | | Q 368 | 2SD2144S/VW/-T | TRANSISTOR | | |
| | C1522 | QCS32HJ-470Z | C CAPACITOR | 47PF 5% 500V | | | Q 369 | 2SD2144S/VW/-T | TRANSISTOR | | |
| | C1543 | QFN31HJ-473Z | M CAPACITOR | .047MF 5% 50V | UF | | Q 370 | 2SD2144S/VW/-T | TRANSISTOR | | |
| | C1543 | QFLC1HJ-473Z | M CAPACITOR | .047MF 5% 50V | US | | Q 371 | KRA104M-T | D.TRANSISTOR | | |
| | C1544 | QFLC1HJ-473Z | M CAPACITOR | .047MF 5% 50V | US | | Q 372 | KRA104M-T | D.TRANSISTOR | | |
| | C1544 | QFN31HJ-473Z | M CAPACITOR | .047MF 5% 50V | UF | | Q 373 | KRC104M-T | D.TRANSISTOR | | |
| | D 301 | MTZJ7.5C-T2 | ZENER DIODE | | | | Q 374 | KRA104M-T | D.TRANSISTOR | | |
| | D 302 | MTZJ7.5C-T2 | ZENER DIODE | | | | Q 376 | 2SD2144S/VW/-T | TRANSISTOR | | |
| | D 303 | MTZJ10C-T2 | Z.DIODE | | | | Q 381 | 2SA965/OY/-T | TRANSISTOR | | |
| | D 304 | 1SS133-T2 | SI DIODE | | | | Q 382 | 2SC2060/QR/-T | TRANSISTOR | | |
| | D 305 | 1SS133-T2 | SI DIODE | | | | Q 383 | 2SC2060/QR/-T | TRANSISTOR | | |
| | D1503 | 1SS133-T2 | SI DIODE | | | | Q1501 | 2SC2240/L/-T | TRANSISTOR | | |
| | D1511 | 1SS133-T2 | SI DIODE | | | | Q1502 | 2SC2240/L/-T | TRANSISTOR | | |
| | D1512 | 1SS133-T2 | SI DIODE | | | | Q1503 | 2SA1038S/SE/-T | TRANSISTOR | | |

■ Electrical parts list (AV input / output board)

Block No. 03

| △ | Item | Parts number | Parts name | Remarks | Area | △ | Item | Parts number | Parts name | Remarks | Area |
|---|-------|---------------|----------------|--------------|------|---|-------|--------------|----------------|--------------|------|
| | Q1509 | 2SA1038S/SE-T | TRANSISTOR | | | | R 347 | QRE141J-221Y | C RESISTOR | 220 5% 1/4W | |
| | Q1511 | 2SC2389S/SE-T | TRANSISTOR | | | | R 348 | QRE141J-221Y | C RESISTOR | 220 5% 1/4W | |
| | Q1512 | 2SA1038S/SE-T | TRANSISTOR | | | | R 349 | QRE141J-103Y | C RESISTOR | 10K 5% 1/4W | |
| | Q1540 | 2SD637/QR/ | TRANSISTOR | | | | R 350 | QRE141J-103Y | C RESISTOR | 10K 5% 1/4W | |
| | R 163 | QRE141J-472Y | C RESISTOR | 4.7K 5% 1/4W | | △ | R 351 | QRJ146J-271X | UNF C.RESISTOR | 270 5% 1/4W | |
| | R 164 | QRE141J-472Y | C RESISTOR | 4.7K 5% 1/4W | | △ | R 352 | QRJ146J-271X | UNF C.RESISTOR | 270 5% 1/4W | |
| | R 201 | QRE141J-471Y | C RESISTOR | 470 5% 1/4W | | | R 353 | QRE141J-153Y | C RESISTOR | 15K 5% 1/4W | |
| | R 202 | QRE141J-471Y | C RESISTOR | 470 5% 1/4W | | | R 354 | QRE141J-153Y | C RESISTOR | 15K 5% 1/4W | |
| | R 203 | QRE141J-471Y | C RESISTOR | 470 5% 1/4W | | | R 355 | QRE141J-103Y | C RESISTOR | 10K 5% 1/4W | |
| | R 204 | QRE141J-471Y | C RESISTOR | 470 5% 1/4W | | | R 356 | QRE141J-103Y | C RESISTOR | 10K 5% 1/4W | |
| | R 205 | QRE141J-471Y | C RESISTOR | 470 5% 1/4W | | | R 357 | QRE141J-102Y | C RESISTOR | 1.0K 5% 1/4W | |
| | R 206 | QRE141J-471Y | C RESISTOR | 470 5% 1/4W | | △ | R 361 | QRJ146J-271X | UNF C.RESISTOR | 270 5% 1/4W | |
| | R 211 | QRE141J-750Y | C RESISTOR | 75 5% 1/4W | | △ | R 362 | QRJ146J-271X | UNF C.RESISTOR | 270 5% 1/4W | |
| | R 212 | QRE141J-473Y | C RESISTOR | 47K 5% 1/4W | | | R 363 | QRE141J-432Y | C RESISTOR | 4.3K 5% 1/4W | |
| | R 213 | QRE141J-331Y | C RESISTOR | 330 5% 1/4W | | | R 364 | QRE141J-562Y | C RESISTOR | 5.6K 5% 1/4W | |
| | R 214 | QRE141J-750Y | C RESISTOR | 75 5% 1/4W | | | R 365 | QRE141J-102Y | C RESISTOR | 1.0K 5% 1/4W | |
| | R 215 | QRE141J-331Y | C RESISTOR | 330 5% 1/4W | | | R 366 | QRE141J-102Y | C RESISTOR | 1.0K 5% 1/4W | |
| | R 216 | QRE141J-750Y | C RESISTOR | 75 5% 1/4W | | | R 367 | QRE141J-104Y | C RESISTOR | 100K 5% 1/4W | |
| | R 217 | QRE141J-750Y | C RESISTOR | 75 5% 1/4W | | | R 368 | QRE141J-104Y | C RESISTOR | 100K 5% 1/4W | |
| | R 218 | QRE141J-473Y | C RESISTOR | 47K 5% 1/4W | | | R 371 | QRE141J-102Y | C RESISTOR | 1.0K 5% 1/4W | |
| | R 221 | QRE141J-151Y | C RESISTOR | 150 5% 1/4W | | | R 372 | QRE141J-103Y | C RESISTOR | 10K 5% 1/4W | |
| | R 222 | QRE141J-151Y | C RESISTOR | 150 5% 1/4W | | | R 373 | QRE141J-103Y | C RESISTOR | 10K 5% 1/4W | |
| | R 223 | QRE141J-151Y | C RESISTOR | 150 5% 1/4W | | | R 375 | QRE141J-104Y | C RESISTOR | 100K 5% 1/4W | |
| | R 224 | QRE141J-152Y | C RESISTOR | 1.5K 5% 1/4W | | | R 376 | QRE141J-104Y | C RESISTOR | 100K 5% 1/4W | |
| | R 225 | QRE141J-151Y | C RESISTOR | 150 5% 1/4W | | | R 377 | QRE141J-333Y | C RESISTOR | 33K 5% 1/4W | |
| | R 227 | QRE141J-152Y | C RESISTOR | 1.5K 5% 1/4W | | | R 378 | QRE141J-333Y | C RESISTOR | 33K 5% 1/4W | |
| △ | R 271 | QRJ146J-6R8X | UNF C.RESISTOR | 6.8 5% 1/4W | | | R 379 | QRE141J-333Y | C RESISTOR | 33K 5% 1/4W | |
| | R 301 | QRE141J-222Y | C RESISTOR | 2.2K 5% 1/4W | | | R 381 | QRE141J-363Y | C RESISTOR | 36K 5% 1/4W | |
| | R 302 | QRE141J-222Y | C RESISTOR | 2.2K 5% 1/4W | | | R 382 | QRE141J-363Y | C RESISTOR | 36K 5% 1/4W | |
| | R 303 | QRE141J-473Y | C RESISTOR | 47K 5% 1/4W | | | R 383 | QRE141J-103Y | C RESISTOR | 10K 5% 1/4W | |
| | R 304 | QRE141J-473Y | C RESISTOR | 47K 5% 1/4W | | | R 384 | QRE141J-103Y | C RESISTOR | 10K 5% 1/4W | |
| | R 305 | QRE141J-561Y | C RESISTOR | 560 5% 1/4W | | | R 385 | QRE141J-104Y | C RESISTOR | 100K 5% 1/4W | |
| | R 306 | QRE141J-561Y | C RESISTOR | 560 5% 1/4W | | | R 386 | QRE141J-104Y | C RESISTOR | 100K 5% 1/4W | |
| | R 307 | QRE141J-393Y | C RESISTOR | 39K 5% 1/4W | | △ | R 391 | QRJ146J-220X | UNF C.RESISTOR | 22 5% 1/4W | |
| | R 308 | QRE141J-393Y | C RESISTOR | 39K 5% 1/4W | | | R 392 | QRE141J-102Y | C RESISTOR | 1.0K 5% 1/4W | |
| | R 309 | QRE141J-474Y | C RESISTOR | 470K 5% 1/4W | | | R 393 | QRE141J-472Y | C RESISTOR | 4.7K 5% 1/4W | |
| | R 310 | QRE141J-474Y | C RESISTOR | 470K 5% 1/4W | | | R 394 | QRE141J-472Y | C RESISTOR | 4.7K 5% 1/4W | |
| | R 311 | QRE141J-104Y | C RESISTOR | 100K 5% 1/4W | | △ | R 395 | QRJ146J-8R2X | UNF C.RESISTOR | 8.2 5% 1/4W | |
| | R 312 | QRE141J-104Y | C RESISTOR | 100K 5% 1/4W | | | R1001 | QRE141J-103Y | C RESISTOR | 10K 5% 1/4W | |
| △ | R 313 | QRJ146J-391X | UNF C.RESISTOR | 390 5% 1/4W | | | R1002 | QRE141J-103Y | C RESISTOR | 10K 5% 1/4W | |
| △ | R 314 | QRJ146J-391X | UNF C.RESISTOR | 390 5% 1/4W | | | R1003 | QRE141J-154Y | C RESISTOR | 150K 5% 1/4W | |
| | R 321 | QRE141J-271Y | C RESISTOR | 270 5% 1/4W | | | R1004 | QRE141J-154Y | C RESISTOR | 150K 5% 1/4W | |
| | R 322 | QRE141J-271Y | C RESISTOR | 270 5% 1/4W | | | R1005 | QRE141J-102Y | C RESISTOR | 1.0K 5% 1/4W | |
| | R 323 | QRE141J-102Y | C RESISTOR | 1.0K 5% 1/4W | | | R1006 | QRE141J-102Y | C RESISTOR | 1.0K 5% 1/4W | |
| | R 325 | QRE141J-471Y | C RESISTOR | 470 5% 1/4W | | | R1007 | QRE141J-103Y | C RESISTOR | 10K 5% 1/4W | |
| | R 326 | QRE141J-471Y | C RESISTOR | 470 5% 1/4W | | | R1008 | QRE141J-103Y | C RESISTOR | 10K 5% 1/4W | |
| | R 327 | QRE141J-471Y | C RESISTOR | 470 5% 1/4W | | | R1009 | QRE141J-103Y | C RESISTOR | 10K 5% 1/4W | |
| | R 328 | QRE141J-471Y | C RESISTOR | 470 5% 1/4W | | | R1010 | QRE141J-103Y | C RESISTOR | 10K 5% 1/4W | |
| | R 329 | QRE141J-471Y | C RESISTOR | 470 5% 1/4W | | | R1011 | QRE141J-103Y | C RESISTOR | 10K 5% 1/4W | |
| | R 330 | QRE141J-471Y | C RESISTOR | 470 5% 1/4W | | | R1012 | QRE141J-103Y | C RESISTOR | 10K 5% 1/4W | |
| | R 331 | QRE141J-471Y | C RESISTOR | 470 5% 1/4W | | | R1013 | QRE141J-103Y | C RESISTOR | 10K 5% 1/4W | |
| | R 332 | QRE141J-471Y | C RESISTOR | 470 5% 1/4W | | | R1014 | QRE141J-103Y | C RESISTOR | 10K 5% 1/4W | |
| | R 333 | QRE141J-471Y | C RESISTOR | 470 5% 1/4W | | | R1015 | QRE141J-272Y | C RESISTOR | 2.7K 5% 1/4W | |
| | R 334 | QRE141J-471Y | C RESISTOR | 470 5% 1/4W | | | R1016 | QRE141J-272Y | C RESISTOR | 2.7K 5% 1/4W | |
| | R 335 | QRE141J-471Y | C RESISTOR | 470 5% 1/4W | | | R1017 | QRE141J-472Y | C RESISTOR | 4.7K 5% 1/4W | |
| | R 336 | QRE141J-471Y | C RESISTOR | 470 5% 1/4W | | | R1018 | QRE141J-472Y | C RESISTOR | 4.7K 5% 1/4W | |
| | R 337 | QRE141J-102Y | C RESISTOR | 1.0K 5% 1/4W | | | R1019 | QRE141J-513Y | C RESISTOR | 51K 5% 1/4W | |
| | R 341 | QRE141J-104Y | C RESISTOR | 100K 5% 1/4W | | | R1020 | QRE141J-513Y | C RESISTOR | 51K 5% 1/4W | |
| | R 342 | QRE141J-104Y | C RESISTOR | 100K 5% 1/4W | | △ | R1021 | QRZ9005-680X | F.RESISTOR | 68 1/0W | |
| | R 343 | QRE141J-104Y | C RESISTOR | 100K 5% 1/4W | | △ | R1022 | QRZ9005-680X | F.RESISTOR | 68 1/0W | |
| | R 344 | QRE141J-104Y | C RESISTOR | 100K 5% 1/4W | | | R1023 | QRE141J-102Y | C RESISTOR | 1.0K 5% 1/4W | |
| | R 345 | QRE141J-511Y | C RESISTOR | 510 5% 1/4W | | | R1024 | QRE141J-103Y | C RESISTOR | 10K 5% 1/4W | |
| | R 346 | QRE141J-511Y | C RESISTOR | 510 5% 1/4W | | | R1025 | QRE141J-103Y | C RESISTOR | 10K 5% 1/4W | |

■ Electrical parts list (AV input / output board)

Block No. 03

| △ | Item | Parts number | Parts name | Remarks | Area |
|---|-------|--------------|----------------|--------------|------|
| | R1031 | QRE141J-104Y | C RESISTOR | 100K 5% 1/4W | |
| | R1032 | QRE141J-104Y | C RESISTOR | 100K 5% 1/4W | |
| | R1033 | QRE141J-104Y | C RESISTOR | 100K 5% 1/4W | |
| | R1034 | QRE141J-104Y | C RESISTOR | 100K 5% 1/4W | |
| | R1035 | QRE141J-104Y | C RESISTOR | 100K 5% 1/4W | |
| | R1036 | QRE141J-104Y | C RESISTOR | 100K 5% 1/4W | |
| | R1037 | QRE141J-102Y | C RESISTOR | 1.0K 5% 1/4W | |
| | R1038 | QRE141J-102Y | C RESISTOR | 1.0K 5% 1/4W | |
| | R1039 | QRE141J-103Y | C RESISTOR | 10K 5% 1/4W | |
| | R1040 | QRE141J-103Y | C RESISTOR | 10K 5% 1/4W | |
| | R1041 | QRE141J-103Y | C RESISTOR | 10K 5% 1/4W | |
| | R1042 | QRE141J-273Y | C RESISTOR | 27K 5% 1/4W | |
| | R1044 | QRE141J-102Y | C RESISTOR | 1.0K 5% 1/4W | |
| | R1045 | QRE141J-102Y | C RESISTOR | 1.0K 5% 1/4W | |
| | R1046 | QRE141J-104Y | C RESISTOR | 100K 5% 1/4W | |
| △ | R1049 | QRZ9005-680X | F.RESISTOR | 68 1/0W | |
| △ | R1050 | QRZ9005-680X | F.RESISTOR | 68 1/0W | |
| | R1051 | QRE141J-104Y | C RESISTOR | 100K 5% 1/4W | |
| | R1052 | QRE141J-104Y | C RESISTOR | 100K 5% 1/4W | |
| | R1053 | QRE141J-104Y | C RESISTOR | 100K 5% 1/4W | |
| | R1054 | QRE141J-104Y | C RESISTOR | 100K 5% 1/4W | |
| | R1055 | QRE141J-104Y | C RESISTOR | 100K 5% 1/4W | |
| | R1056 | QRE141J-104Y | C RESISTOR | 100K 5% 1/4W | |
| | R1057 | QRE141J-102Y | C RESISTOR | 1.0K 5% 1/4W | |
| | R1058 | QRE141J-102Y | C RESISTOR | 1.0K 5% 1/4W | |
| | R1059 | QRE141J-103Y | C RESISTOR | 10K 5% 1/4W | |
| | R1060 | QRE141J-103Y | C RESISTOR | 10K 5% 1/4W | |
| | R1061 | QRE141J-102Y | C RESISTOR | 1.0K 5% 1/4W | |
| | R1062 | QRE141J-104Y | C RESISTOR | 100K 5% 1/4W | |
| | R1063 | QRE141J-104Y | C RESISTOR | 100K 5% 1/4W | |
| | R1064 | QRE141J-104Y | C RESISTOR | 100K 5% 1/4W | |
| | R1065 | QRE141J-102Y | C RESISTOR | 1.0K 5% 1/4W | |
| △ | R1071 | QRZ9005-100X | F.RESISTOR | 10 1/0W | |
| △ | R1072 | QRJ146J-222X | UNF C.RESISTOR | 2.2K 5% 1/4W | |
| △ | R1073 | QRZ9005-100X | F.RESISTOR | 10 1/0W | |
| △ | R1074 | QRJ146J-222X | UNF C.RESISTOR | 2.2K 5% 1/4W | |
| △ | R1075 | QRZ9005-100X | F.RESISTOR | 10 1/0W | |
| △ | R1076 | QRJ146J-102X | UNF C.RESISTOR | 1.0K 5% 1/4W | |
| | R1501 | QRE141J-222Y | C RESISTOR | 2.2K 5% 1/4W | |
| | R1502 | QRE141J-563Y | C RESISTOR | 56K 5% 1/4W | |
| | R1503 | QRE141J-302Y | C RESISTOR | 3.0K 5% 1/4W | |
| | R1504 | QRE141J-101Y | C RESISTOR | 100 5% 1/4W | |
| | R1505 | QRE141J-183Y | C RESISTOR | 18K 5% 1/4W | |
| | R1507 | QRE141J-563Y | C RESISTOR | 56K 5% 1/4W | |
| | R1508 | QRE141J-391Y | C RESISTOR | 390 5% 1/4W | |
| △ | R1511 | QRJ146J-331X | UNF C.RESISTOR | 330 5% 1/4W | |
| | R1512 | QRE141J-332Y | C RESISTOR | 3.3K 5% 1/4W | |
| | R1513 | QRE141J-332Y | C RESISTOR | 3.3K 5% 1/4W | |
| | R1514 | QRE141J-332Y | C RESISTOR | 3.3K 5% 1/4W | |
| | R1515 | QRE141J-332Y | C RESISTOR | 3.3K 5% 1/4W | |
| △ | R1517 | QRJ146J-100X | UNF.C RESISTOR | 10 5% 1/4W | |
| △ | R1518 | QRJ146J-100X | UNF.C RESISTOR | 10 5% 1/4W | |
| △ | R1523 | QRJ146J-100X | UNF.C RESISTOR | 10 5% 1/4W | |
| △ | R1524 | QRJ146J-100X | UNF.C RESISTOR | 10 5% 1/4W | |
| △ | R1527 | QRZ0196-R22 | EMIT.RESISTOR | 1/1W | |
| △ | R1528 | QRJ125J-330 | UNF.C.RESISTOR | 33 5% 1/2W | |
| | R1531 | QRE141J-102Y | C RESISTOR | 1.0K 5% 1/4W | |
| | R1532 | QRE141J-183Y | C RESISTOR | 18K 5% 1/4W | |
| | R1533 | QRE141J-123Y | C RESISTOR | 12K 5% 1/4W | |
| | R1541 | QRE141J-471Y | C RESISTOR | 470 5% 1/4W | |
| | R1542 | QRE141J-361Y | C RESISTOR | 360 5% 1/4W | |
| | R1543 | QRE141J-181Y | C RESISTOR | 180 5% 1/4W | |
| | R1544 | QRE141J-181Y | C RESISTOR | 180 5% 1/4W | |

| △ | Item | Parts number | Parts name | Remarks | Area |
|---|-------|--------------|--------------|-------------|------|
| | R1545 | QRE141J-181Y | C RESISTOR | 180 5% 1/4W | |
| | R1546 | QRE141J-181Y | C RESISTOR | 180 5% 1/4W | |
| △ | R1547 | QRL022J-100 | UNF.OMF.RES. | 10 5% 1/2W | |
| | R1549 | QRE141J-301Y | C RESISTOR | 300 5% 1/4W | |
| △ | TH541 | QAD0012-202 | THERMISTOR | | |

■ Electrical parts list (Tuner board)

Block No. 04

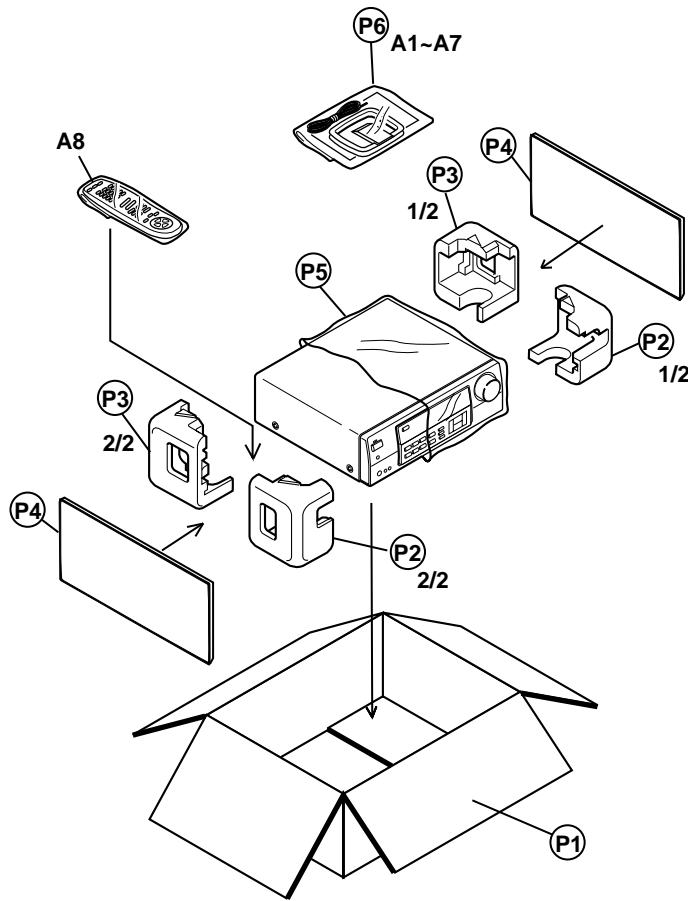
| △ | Item | Parts number | Parts name | Remarks | Area |
|---|-------|--------------|----------------|---------------|------|
| | AT101 | QNB0014-001 | ANT TERMINAL | | |
| | BK 1 | LV31618-001A | SHIELD BKT | | |
| | C 101 | NCB21HK-103X | C CAPACITOR | | |
| | C 103 | NCB21HK-223X | C CAPACITOR | | |
| | C 105 | NCB21HK-223X | C CAPACITOR | | |
| | C 107 | QEK1CM-226Z | E CAPACITOR | 22MF 20% 16V | |
| | C 111 | NCB21HK-473X | C CAPACITOR | | |
| | C 112 | NDC21HJ-120X | C CAPACITOR | | |
| | C 121 | NDC21HJ-120X | C CAPACITOR | | |
| | C 122 | NDC21HJ-120X | C CAPACITOR | | |
| | C 123 | NCB21HK-473X | C CAPACITOR | | |
| | C 126 | NCS21HJ-101X | C CAPACITOR | | |
| | C 128 | QENC1HM-474Z | NP E.CAPACITOR | .47MF 20% 50V | |
| | C 129 | NCB21HK-102X | C CAPACITOR | | |
| | C 130 | QEK1AM-107Z | E CAPACITOR | 100MF 20% 10V | |
| | C 133 | QEK1CM-226Z | E CAPACITOR | 22MF 20% 16V | |
| | C 134 | NCB21HK-222X | C CAPACITOR | | |
| | C 135 | NCB21HK-223X | C CAPACITOR | | |
| | C 136 | QEK1HM-105Z | E CAPACITOR | 1.0MF 20% 50V | |
| | C 137 | NCB21HK-331X | C CAPACITOR | | |
| | C 138 | NCB21HK-473X | C CAPACITOR | | |
| | C 139 | NCB21HK-223X | C CAPACITOR | | |
| | C 140 | NCB21HK-223X | C CAPACITOR | | |
| | C 141 | NCB21HK-473X | C CAPACITOR | | |
| | C 143 | NCB21HK-223X | C CAPACITOR | | |
| | C 144 | NCB21HK-473X | C CAPACITOR | | |
| | C 146 | QEK1HM-105Z | E CAPACITOR | 1.0MF 20% 50V | |
| | C 147 | QEK1HM-105Z | E CAPACITOR | 1.0MF 20% 50V | |
| | C 148 | QEK1HM-224Z | E CAPACITOR | .22MF 20% 50V | |
| | C 149 | QEK1HM-105Z | E CAPACITOR | 1.0MF 20% 50V | |
| | C 150 | QEK1CM-226Z | E CAPACITOR | 22MF 20% 16V | |
| | C 156 | QDGB1HK-102Y | C CAPACITOR | | |
| | C 157 | NCB21HK-473X | C CAPACITOR | | |
| | C 158 | QEK1CM-226Z | E CAPACITOR | 22MF 20% 16V | |
| | C 161 | QEK41CM-106 | E CAPACITOR | 10MF 20% 16V | |
| | C 162 | QEK41CM-106 | E CAPACITOR | 10MF 20% 16V | |
| | C 163 | NCB21HK-223X | C CAPACITOR | | |
| | C 164 | NCB21HK-473X | C CAPACITOR | | |
| | C 168 | QEK1HM-105Z | E CAPACITOR | 1.0MF 20% 50V | |
| | C 184 | QEK1CM-107Z | E CAPACITOR | 100MF 20% 16V | |
| | C 185 | QEK41CM-106 | E CAPACITOR | 10MF 20% 16V | |
| | C 186 | QEK41CM-106 | E CAPACITOR | 10MF 20% 16V | |
| | CF101 | QAX0419-001Z | C FILTER | | |
| | CF102 | QAX0604-001Z | C FILTER | | |
| | CF103 | QAX0519-001Z | C FILTER | | |
| | CN111 | QGB2501K2-12 | CONNECTOR | | |
| | D 121 | 1SS133-T2 | SI DIODE | | |
| | D 123 | 1SS133-T2 | SI DIODE | | |
| | D 129 | 1SS133-T2 | SI DIODE | | |
| | IC102 | LA1838 | IC | | |
| | IC121 | LC72136N | IC | | |
| | Q 102 | 2SC535/BC/-T | TRANSISTOR | | |
| | Q 103 | 2SC461/BC/-T | TRANSISTOR | | |
| | Q 121 | KRA103M-T | TRANSISTOR | | |
| | R 103 | NRSA02J-221X | MG RESISTOR | | |
| | R 104 | NRSA02J-272X | MG RESISTOR | | |
| | R 105 | NRSA02J-391X | MG RESISTOR | | |
| | R 106 | NRSA02J-102X | MG RESISTOR | | |
| | R 107 | NRSA02J-391X | MG RESISTOR | | |
| | R 108 | NRSA02J-332X | MG RESISTOR | | |
| | R 109 | NRSA02J-221X | MG RESISTOR | | |
| | R 115 | NRSA02J-104X | MG RESISTOR | | |
| | R 119 | NRSA02J-103X | MG RESISTOR | | |

| △ | Item | Parts number | Parts name | Remarks | Area |
|---|-------|--------------|-------------|---------|------|
| | R 122 | NRSA02J-472X | MG RESISTOR | | |
| | R 124 | NRSA02J-222X | MG RESISTOR | | |
| | R 126 | NRSA02J-562X | MG RESISTOR | | |
| | R 127 | NRSA02J-822X | MG RESISTOR | | |
| | R 128 | NRSA02J-472X | MG RESISTOR | | |
| | R 129 | NRSA02J-222X | MG RESISTOR | | |
| △ | R 130 | QRZ9005-680X | F RESISTOR | 68 1/0W | |
| | R 132 | NRSA02J-393X | MG RESISTOR | | |
| | R 133 | NRSA02J-392X | MG RESISTOR | | |
| | R 134 | NRSA02J-102X | MG RESISTOR | | |
| | R 140 | NRSA02J-183X | MG RESISTOR | | |
| | R 141 | NRSA02J-102X | MG RESISTOR | | |
| | R 142 | NRSA02J-470X | MG RESISTOR | | |
| | R 143 | NRSA02J-562X | MG RESISTOR | | |
| | R 144 | NRSA02J-332X | MG RESISTOR | | |
| | R 145 | NRSA02J-103X | MG RESISTOR | | |
| | R 146 | NRSA02J-392X | MG RESISTOR | | |
| | R 147 | NRSA02J-332X | MG RESISTOR | | |
| | R 150 | NRSA02J-331X | MG RESISTOR | | |
| | R 157 | NRSA02J-682X | MG RESISTOR | | |
| | R 158 | NRSA02J-682X | MG RESISTOR | | |
| | R 161 | NRSA02J-102X | MG RESISTOR | | |
| | R 162 | NRSA02J-102X | MG RESISTOR | | |
| | R 182 | NRSA02J-103X | MG RESISTOR | | |
| | R 183 | NRSA02J-103X | MG RESISTOR | | |
| | R 184 | NRSA02J-103X | MG RESISTOR | | |
| | RF101 | QAU0124-002 | FRONT END | | |
| | T 111 | QQR0796-001 | COIL BLOCK | | |
| | T 142 | QQR0973-001 | IFT | | |
| | X 121 | QAX0402-001 | CRYSTAL | | |

Packing materials and accessories parts list

Block No. M 2 M M

Block No. M 3 M M



Parts list (Packing)

Block No. M2MM

| ⚠ | Item | Parts number | Parts name | Q'ty | Description | Area |
|---|------|--------------|----------------|------|-------------|------|
| | P 1 | LV30044-0E4A | PACKING CASE | 1 | RX-5001VGD | US |
| | | LV20806-001A | PACKING CASE | 1 | RX-5000VBK | UF |
| | | LV20806-002A | PACKING CASE | 1 | RX-5001VGD | UF |
| | P 2 | LV20231-001A | PACKING PAD(F) | 1 | | US |
| | | LV20231-201A | PACKING PAD(F) | 1 | | UF |
| | P 3 | LV20232-001A | PACKING PAD(R) | 1 | | US |
| | | LV20232-201A | PACKING PAD(R) | 1 | | UF |
| | P 4 | LV32034-001A | PACKING SHEET | 2 | | US |
| | P 5 | LV40363-001A | POLY BAG | 1 | RX-5001VGD | |
| | | QPC06507015P | POLY BAG | 1 | RX-5000VBK | |
| | P 6 | QPA02503505P | POLY BAG | 1 | | |

Parts list (Accessories)

Block No. M3MM

| ⚠ | Item | Parts number | Parts name | Q'ty | Description | Area |
|---|------|--------------|-----------------|------|-----------------|------|
| | A 1 | LVT0384-009A | INST.BOOK | 1 | CHI | UF |
| | | LVT0384-006A | INST.BOOK | 1 | ENG,SPA,POR,CHI | US |
| | A 2 | BT-59009-1 | SVC CENTER LIST | 1 | | UF |
| | A 3 | BT-59007-2 | WARRANTY CARD | 1 | | UF |
| | A 4 | EWP503-001C | ANT.WIRE | 1 | | |
| | A 5 | QAL0014-001 | AM LOOP ANT | 1 | | UF |
| | | QAL0204-001 | AM LOOP ANT | 1 | | US |
| | A 6 | QAM0054-001 | AC PLUGADAPTER | 1 | | |
| | A 7 | ----- | BATTERY | 1 | | |
| | A 8 | RM-SR558XU | REMOCON | 1 | | |